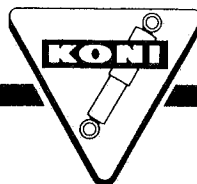


instruction

1027 05 17 67
805

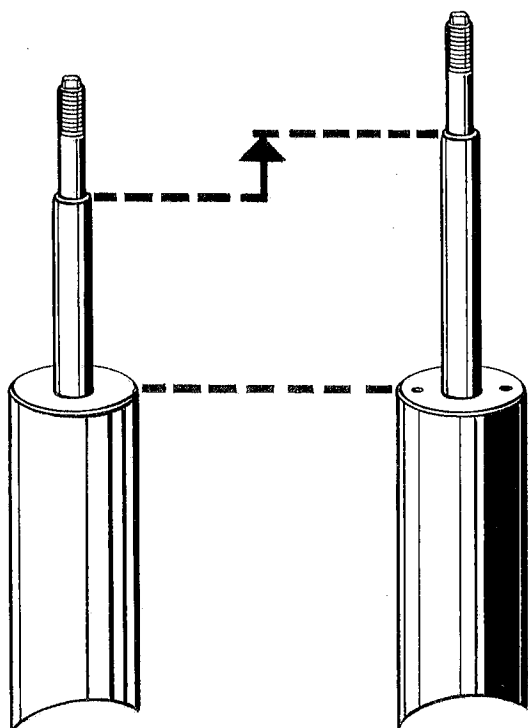


instruction

1027 05 17 67
805

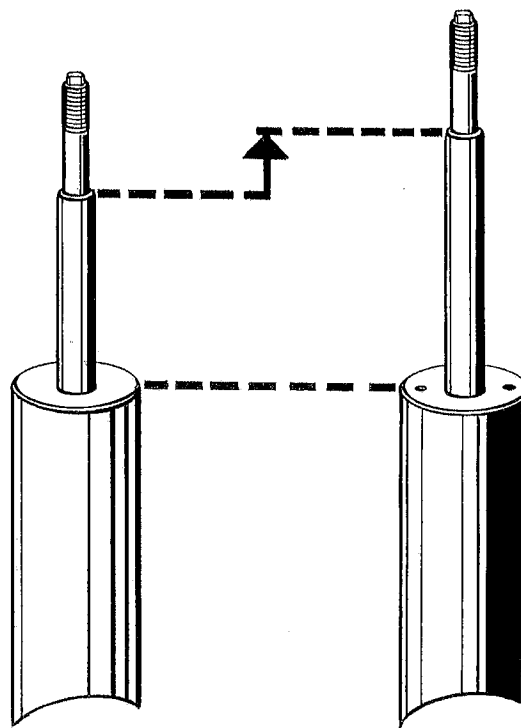
ORIGINAL

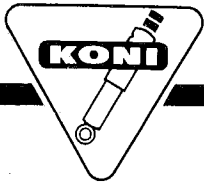
NEW



ORIGINAL

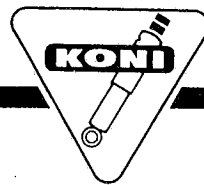
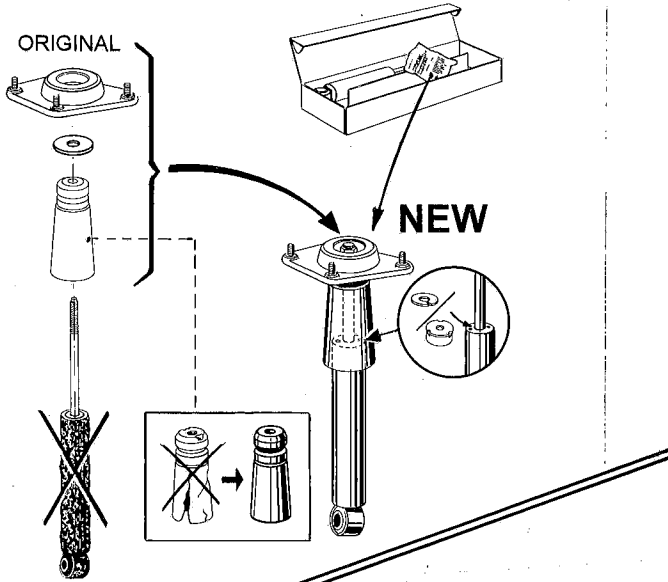
NEW





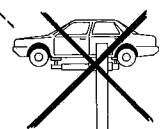
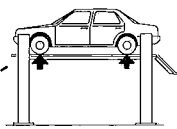
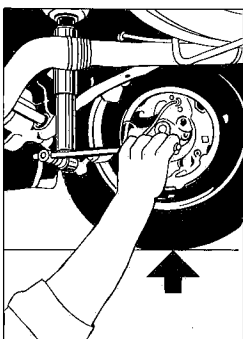
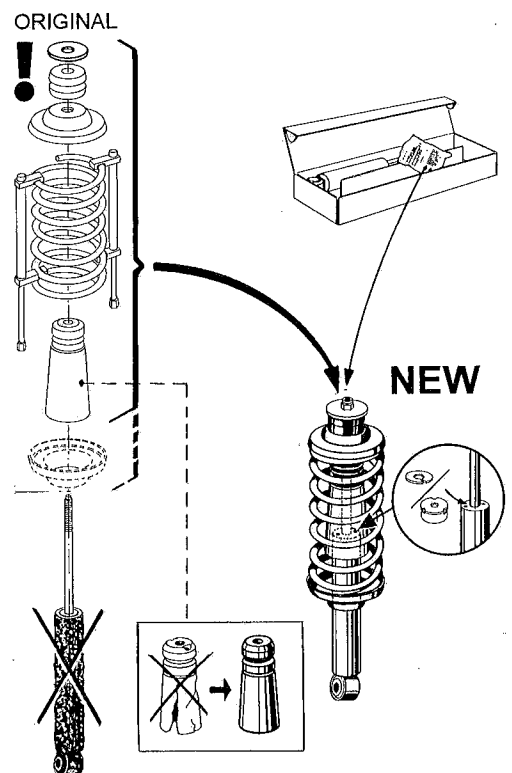
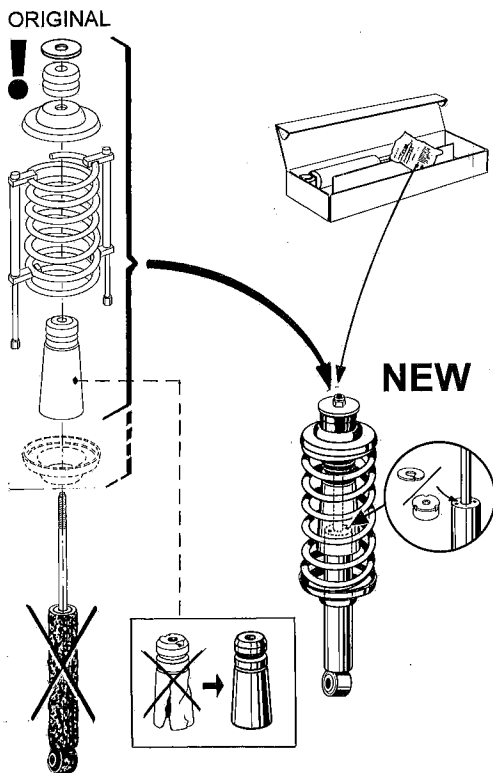
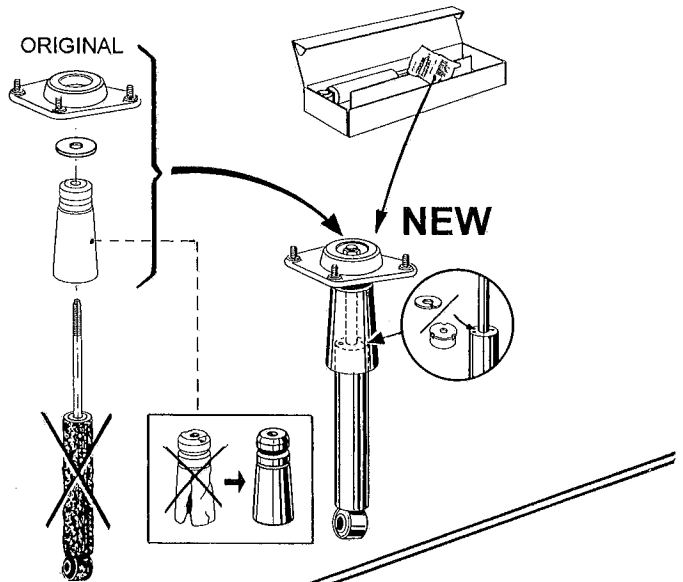
instruction

1027 05 18 76
301/2

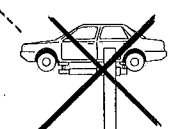
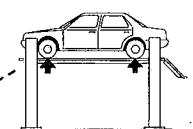
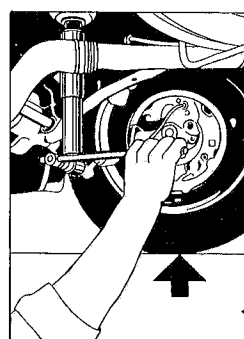


instruction

1027 05 18 76
301/2



AFST. / 1A →



AFST. / 1A →