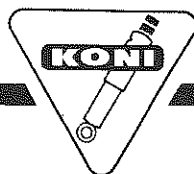
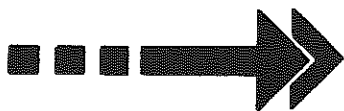
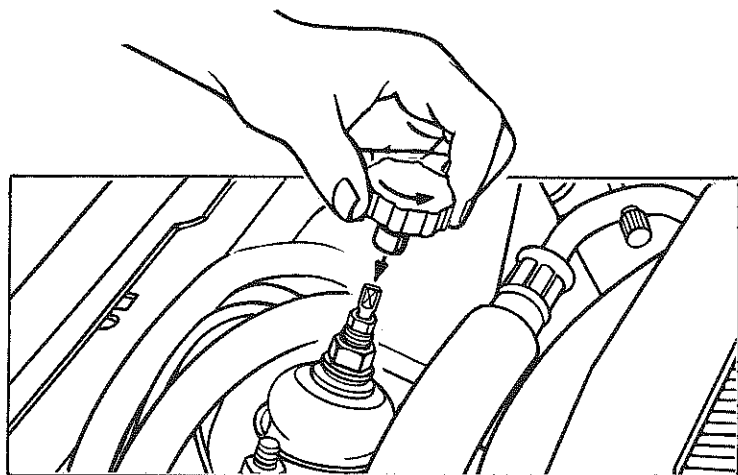
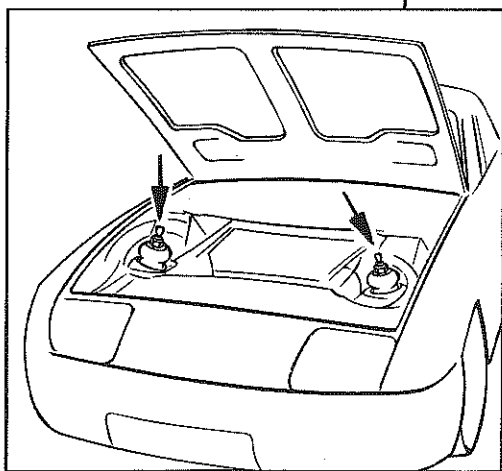
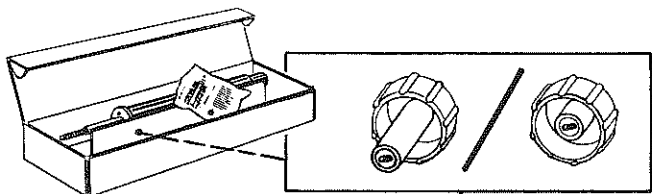
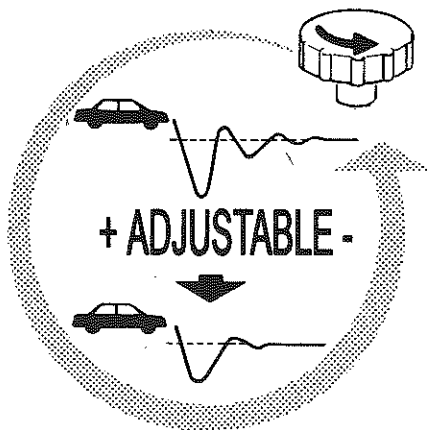


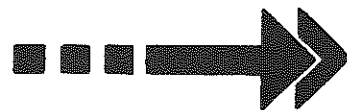
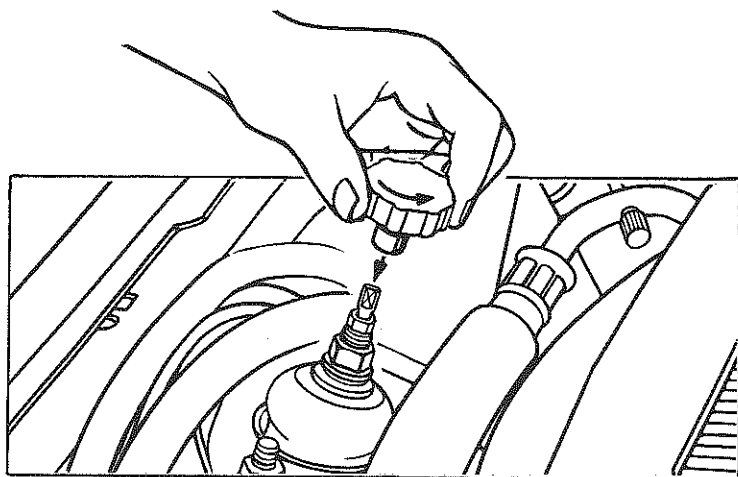
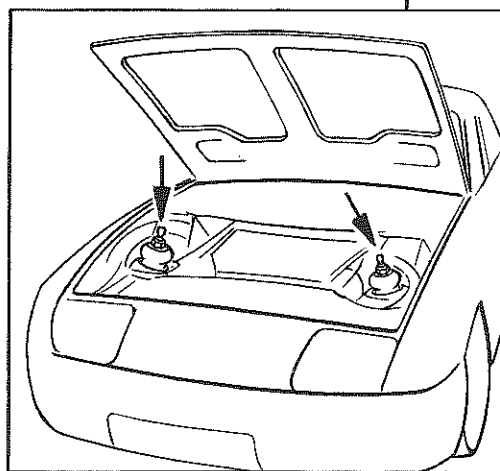
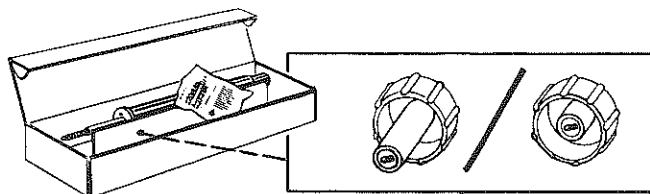
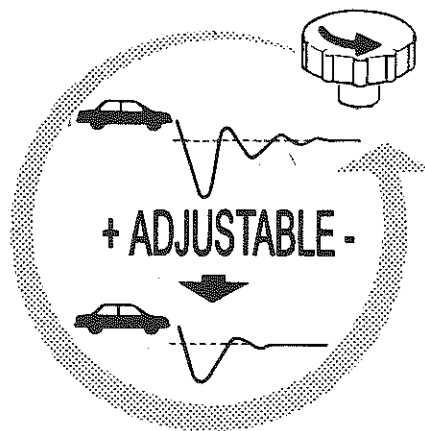
# instruction

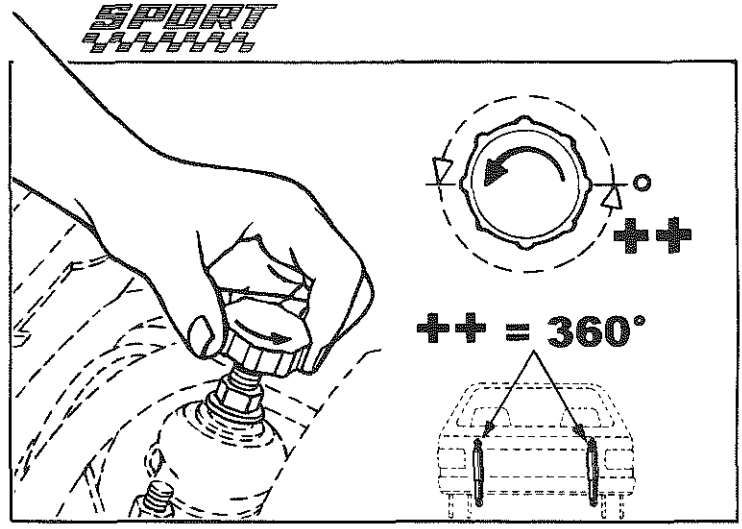
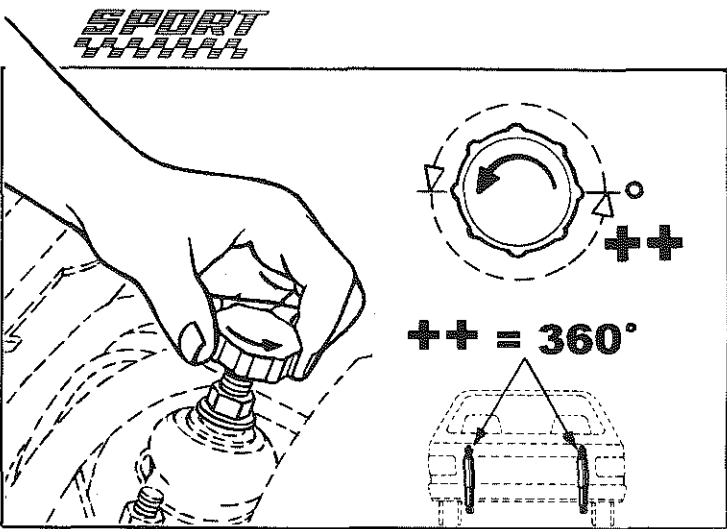
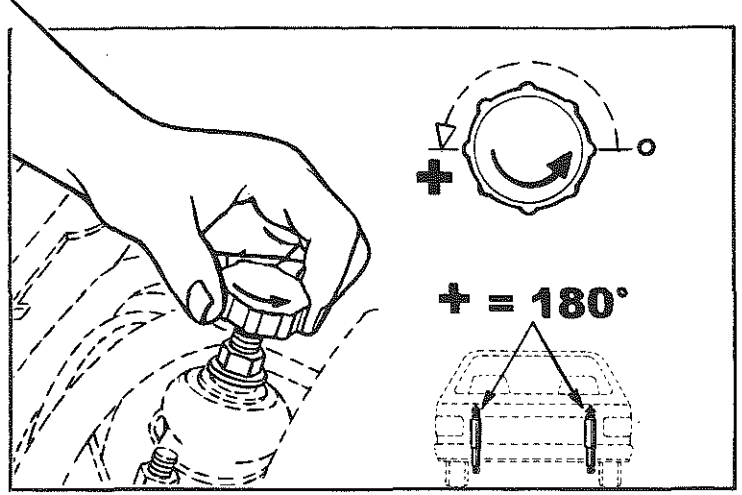
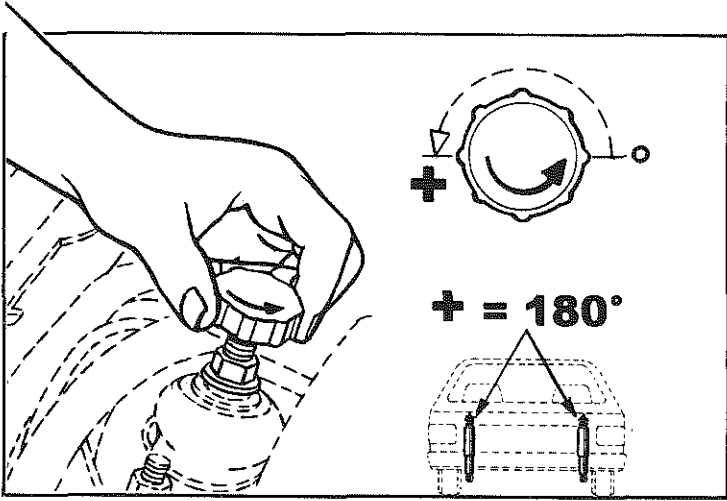
1027 05 13 42  
211/2



# instruction

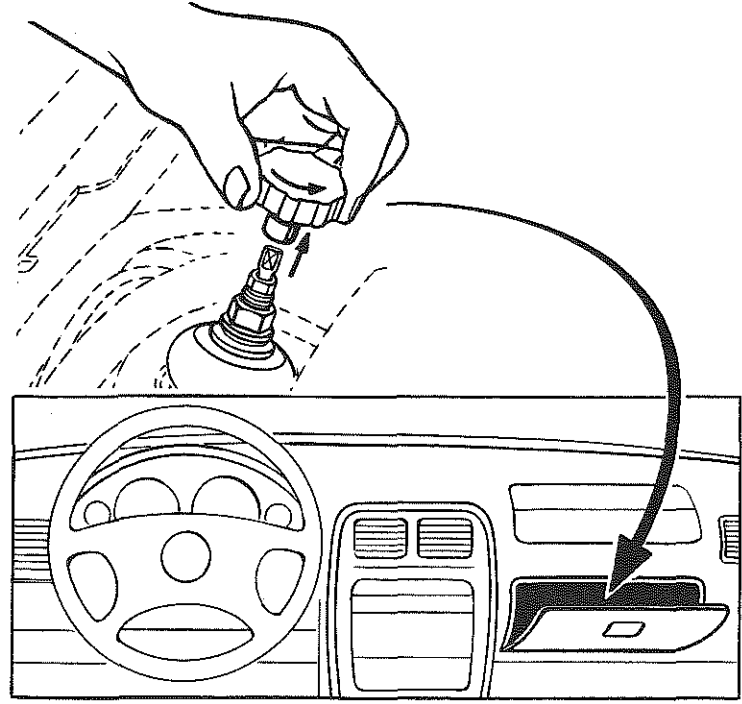
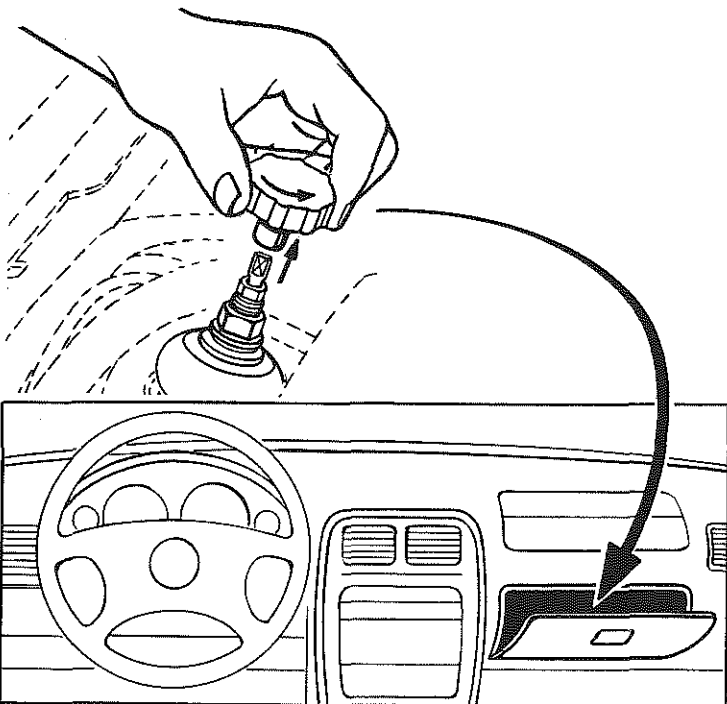
1027 05 13 42  
211/2

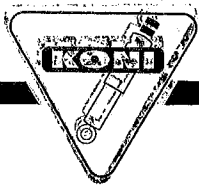




**++++ = MAX. 720°**

**++++ = MAX. 720°**





# instruction

1027 05 13 93  
010 / 2

