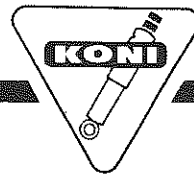
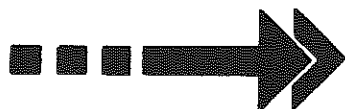
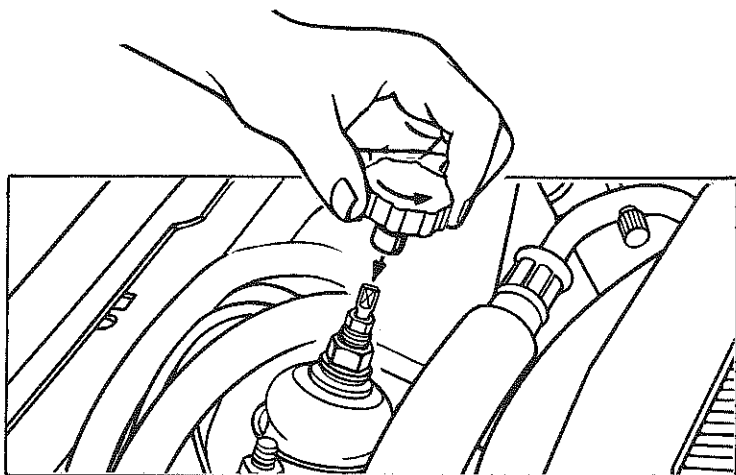
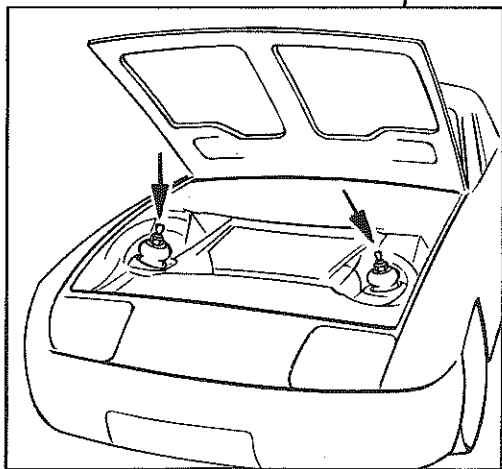
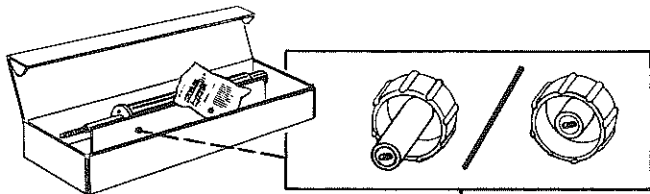
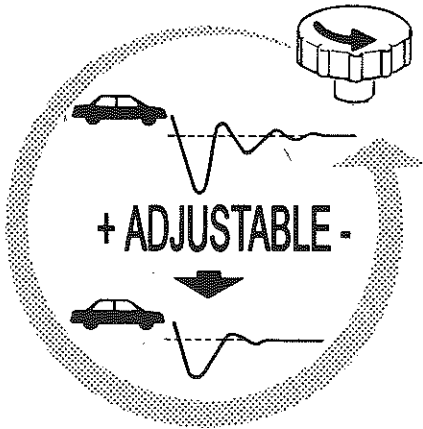


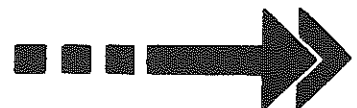
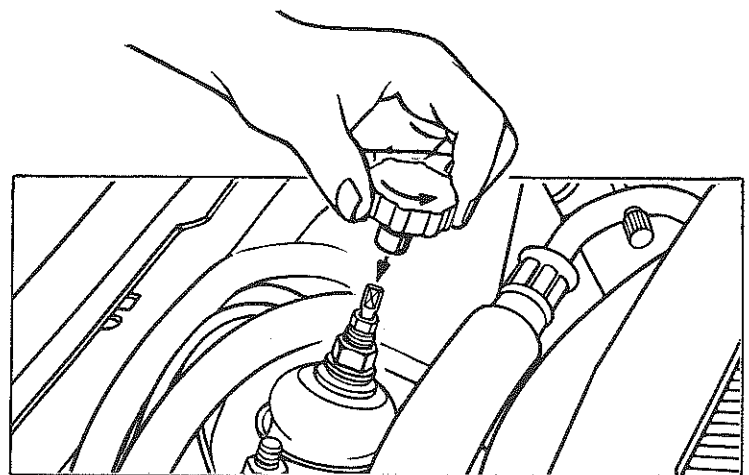
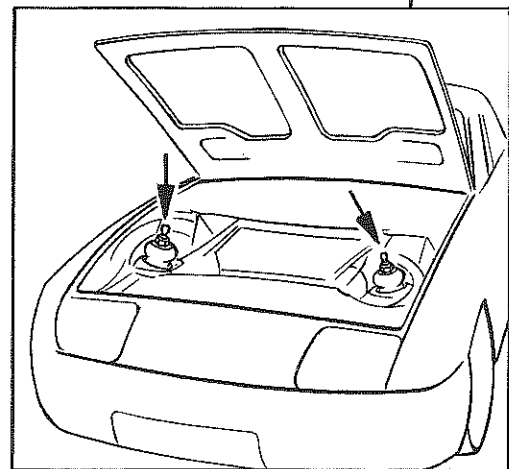
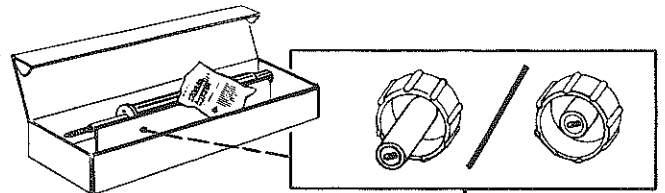
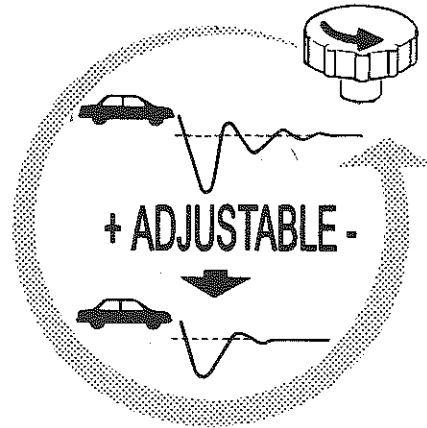
instruction

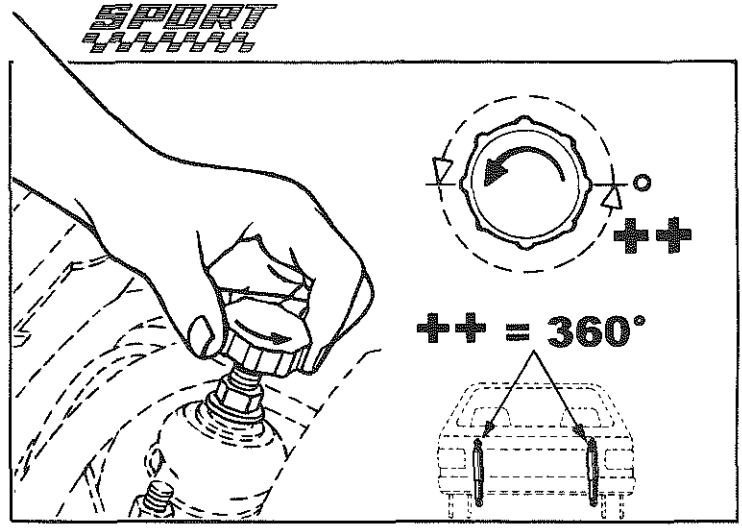
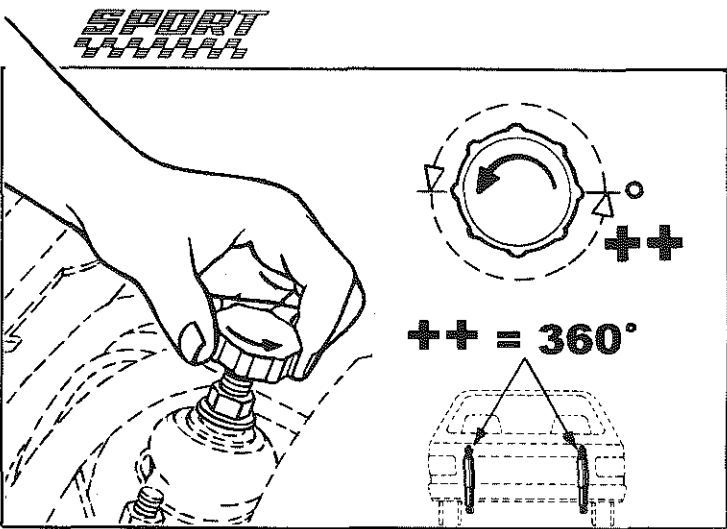
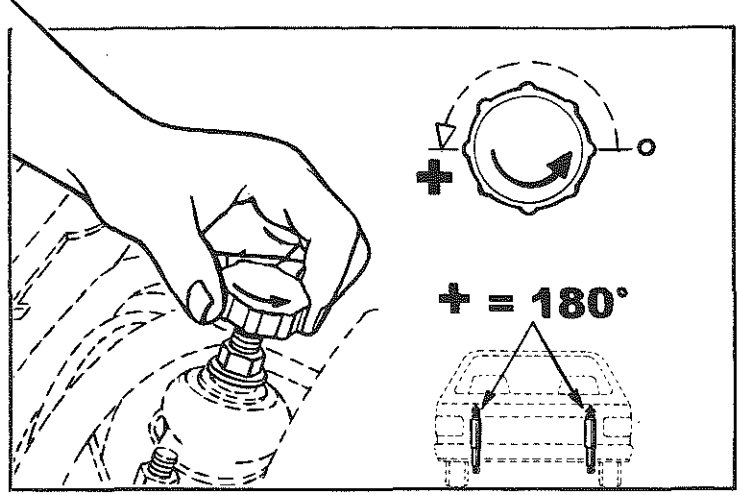
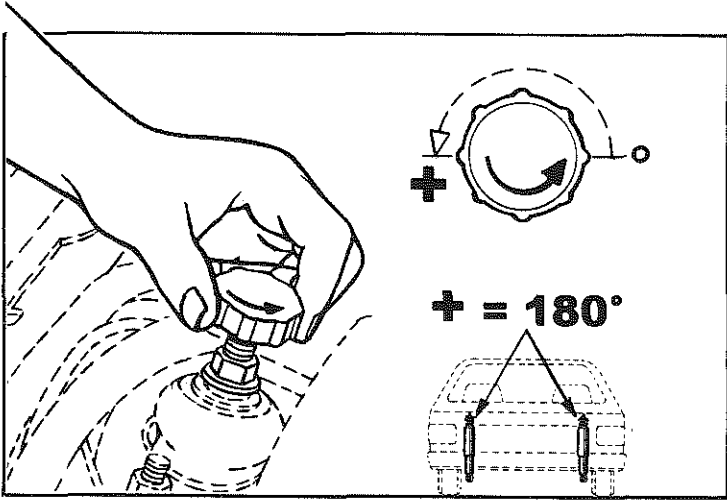
1027 05 13 42
211/2



instruction

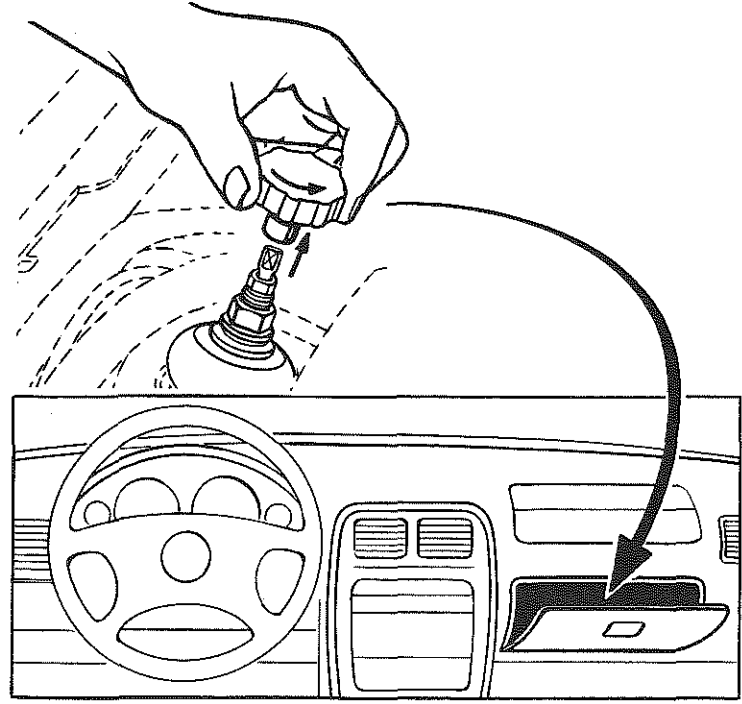
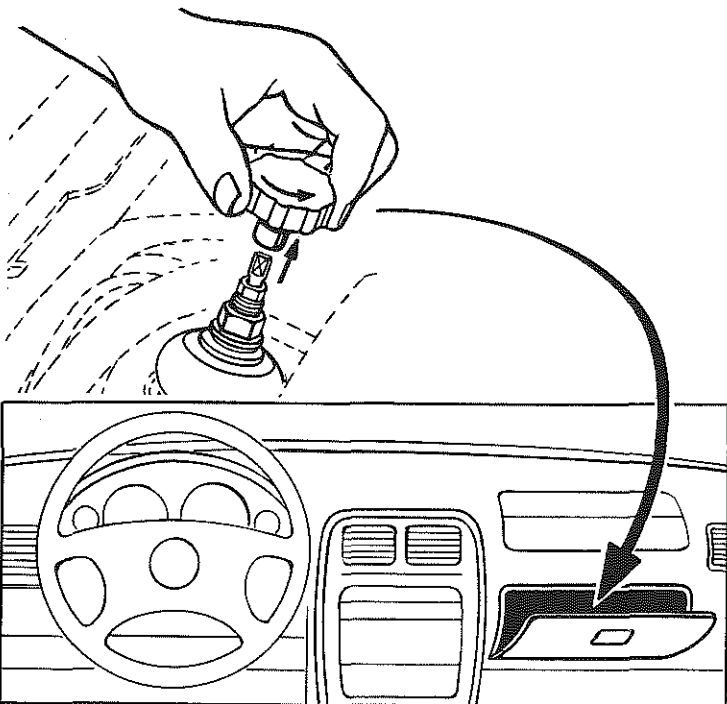
1027 05 13 42
211/2





++++ = MAX. 720°

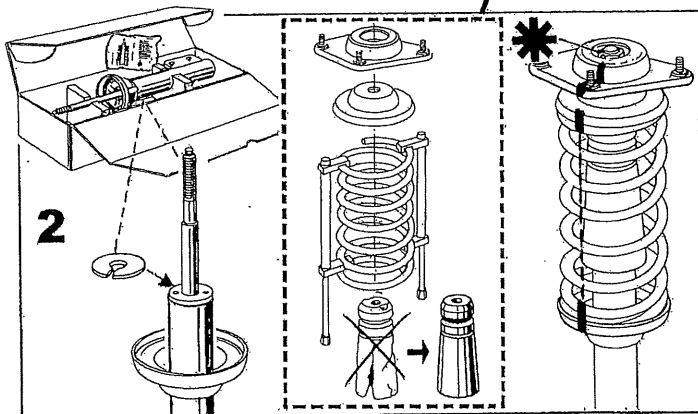
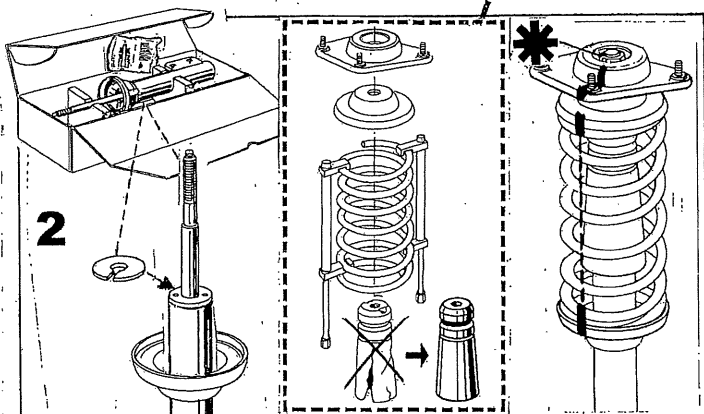
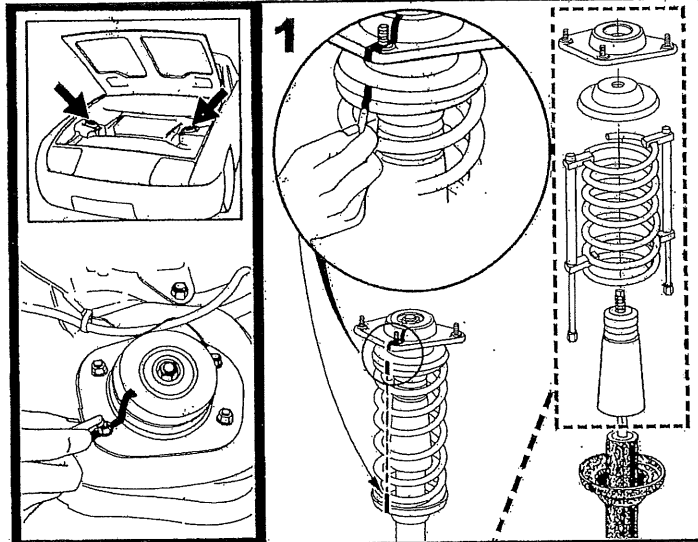
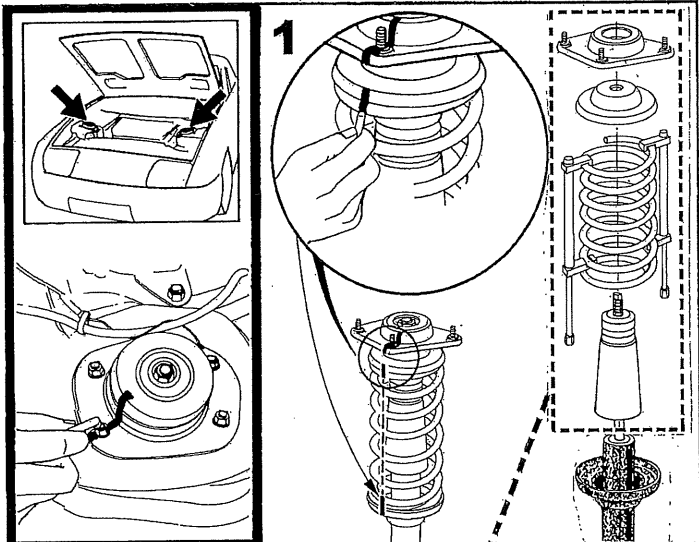
++++ = MAX. 720°





instruction

1027 05 14 88
301/2

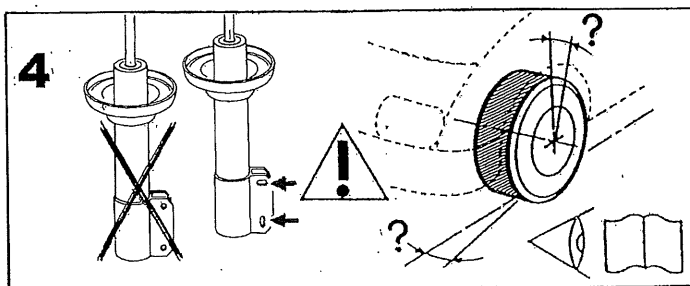


3

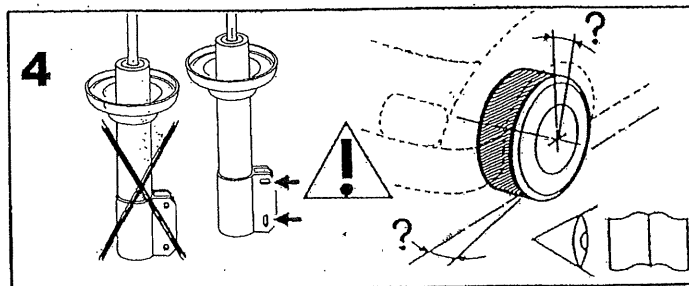
	M10	M12	M14	M16	M18	M
	35 Nm (26 ft.lbs)	50 Nm (37 ft.lbs)	80 Nm (59 ft.lbs)	120 Nm (89 ft.lbs)	165 Nm (122 ft.lbs)	 mm
	45 Nm (33 ft.lbs)	80 Nm (59 ft.lbs)	125 Nm (92 ft.lbs)	180 Nm (133 ft.lbs)	250 Nm (185 ft.lbs)	
	—	50 Nm (37 ft.lbs)	80 Nm (59 ft.lbs)	120 Nm (89 ft.lbs)	165 Nm (122 ft.lbs)	

3

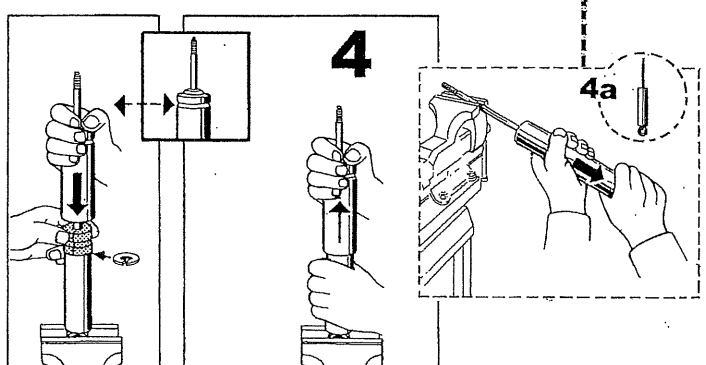
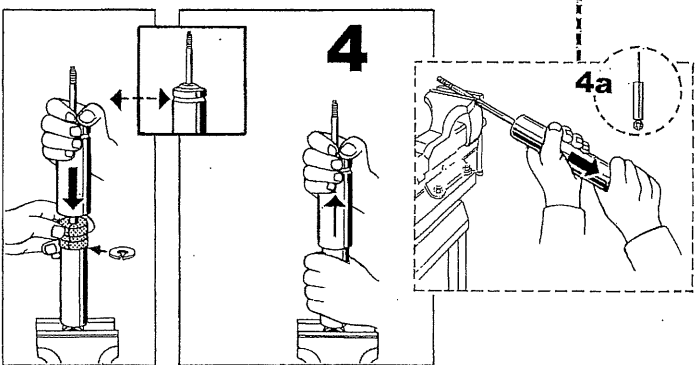
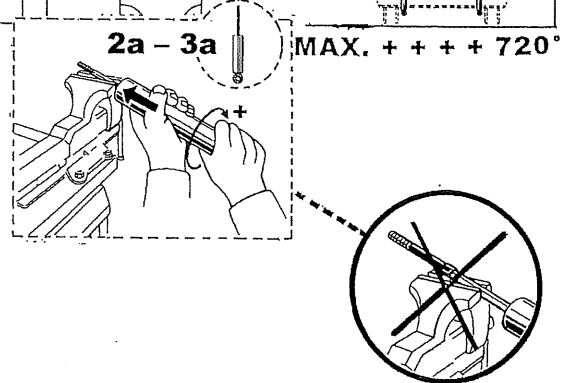
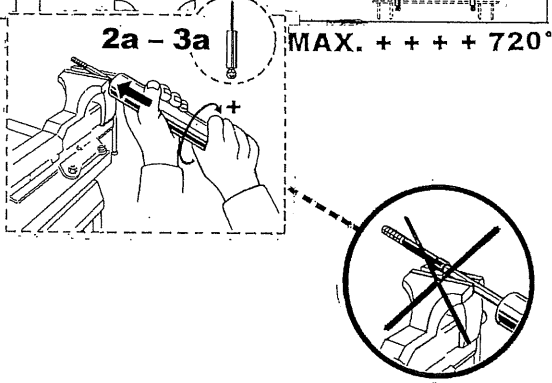
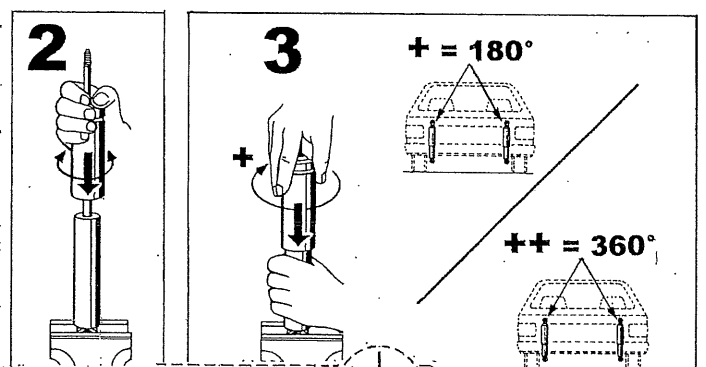
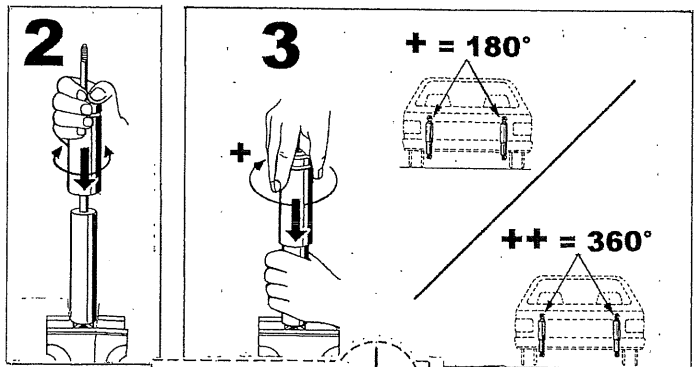
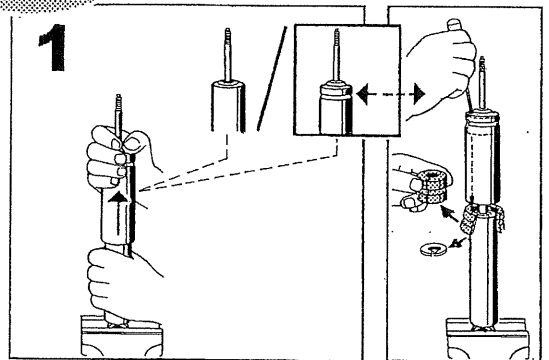
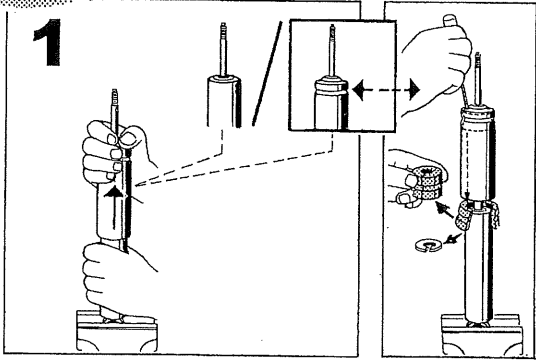
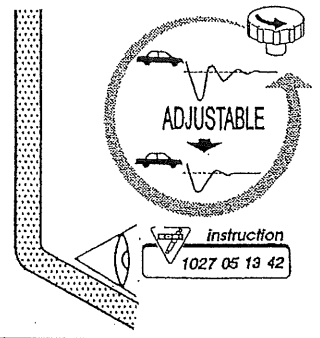
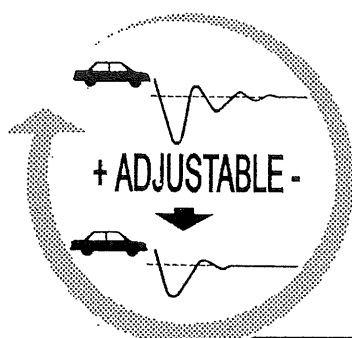
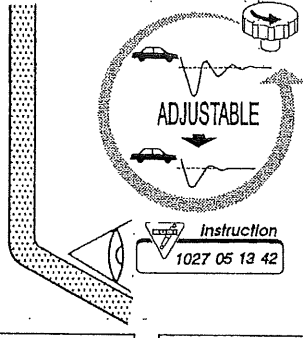
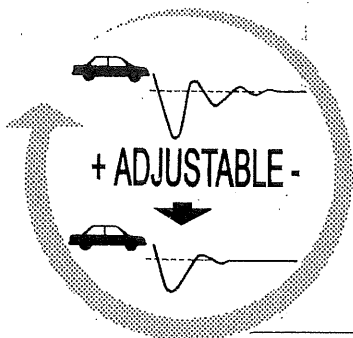
	M10	M12	M14	M16	M18	M
	35 Nm (26 ft.lbs)	50 Nm (37 ft.lbs)	80 Nm (59 ft.lbs)	120 Nm (89 ft.lbs)	165 Nm (122 ft.lbs)	 mm
	45 Nm (33 ft.lbs)	80 Nm (59 ft.lbs)	125 Nm (92 ft.lbs)	180 Nm (133 ft.lbs)	250 Nm (185 ft.lbs)	
	—	50 Nm (37 ft.lbs)	80 Nm (59 ft.lbs)	120 Nm (89 ft.lbs)	165 Nm (122 ft.lbs)	

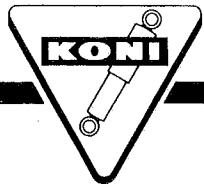


AFST. / 1A



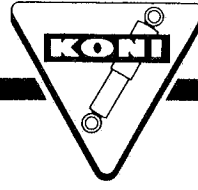
AFST. / 1A





instruction

1027 05 17 67
805

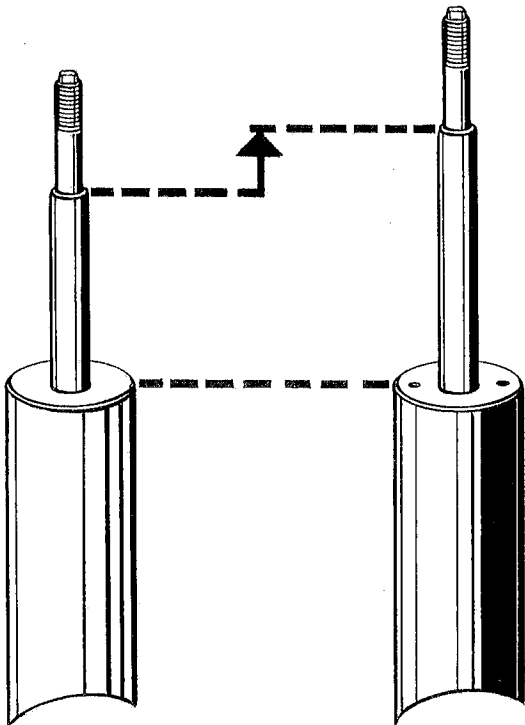


instruction

1027 05 17 67
805

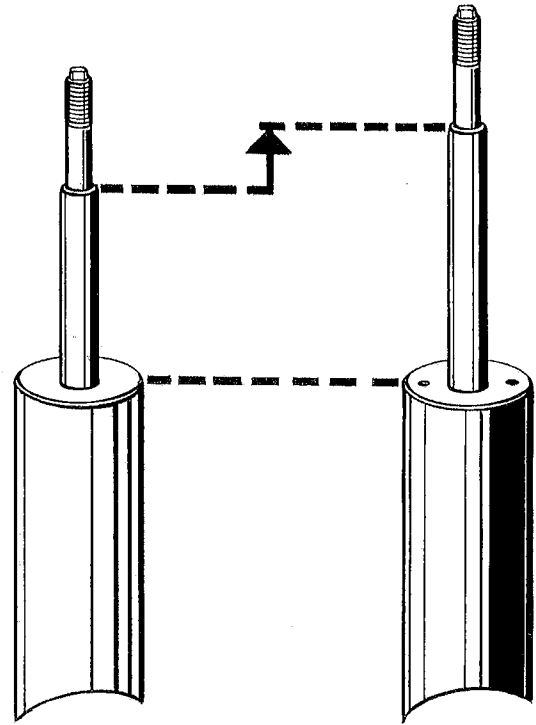
ORIGINAL

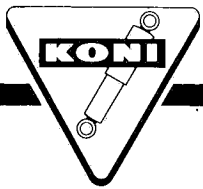
NEW



ORIGINAL

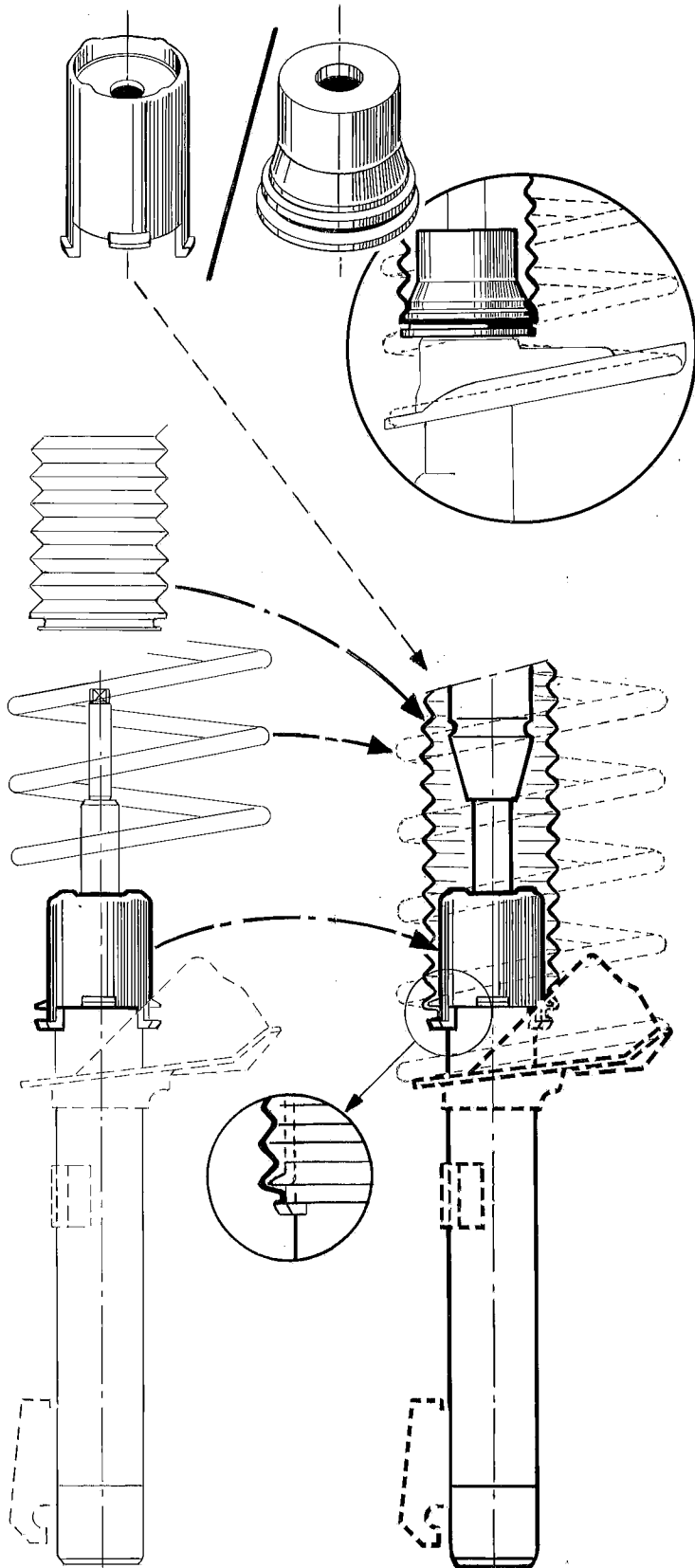
NEW



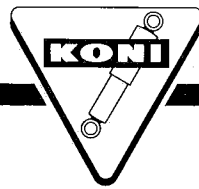


instruction

1027 05 18 78
912

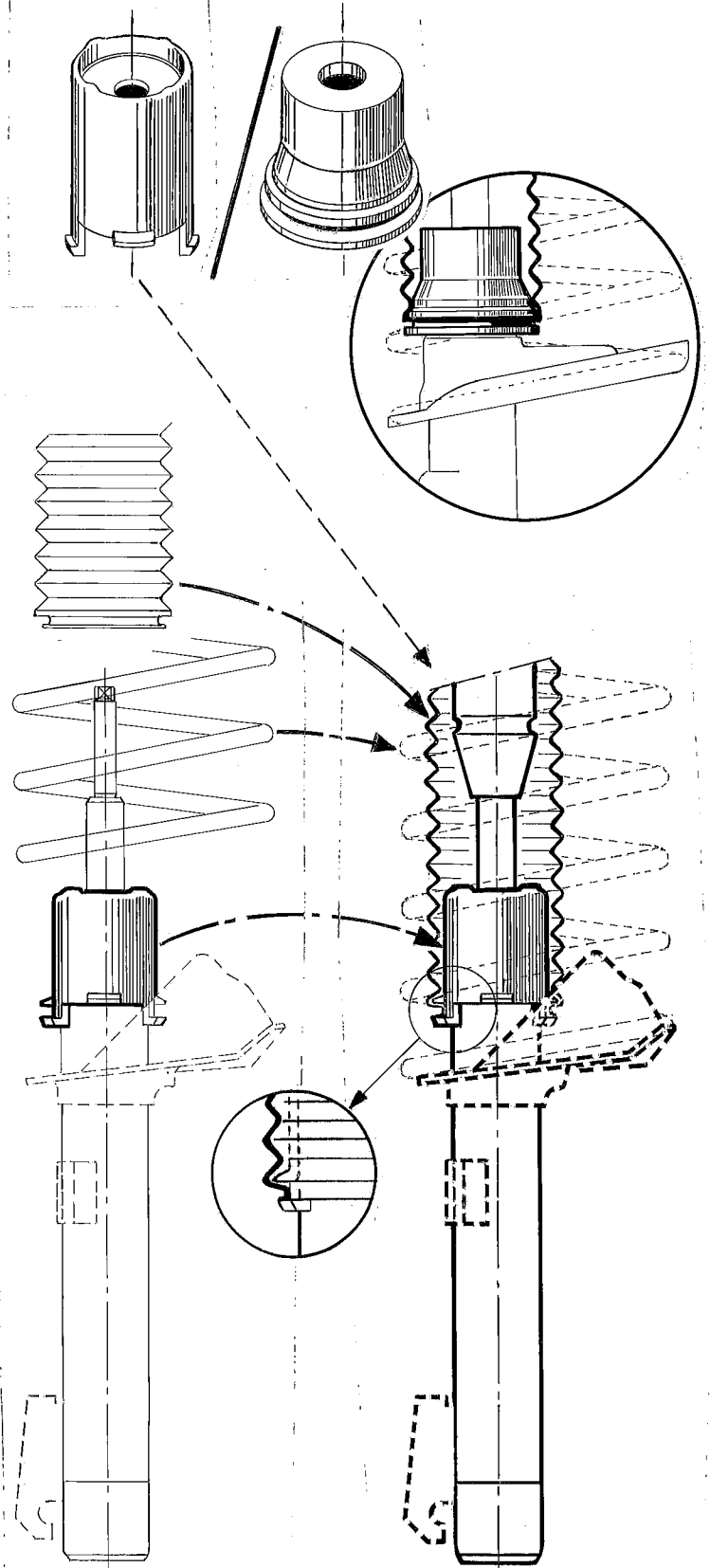


ORIGINAL



instruction

1027 05 18 78
912



ORIGINAL