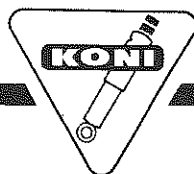
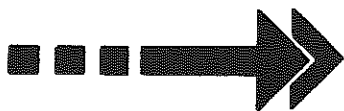
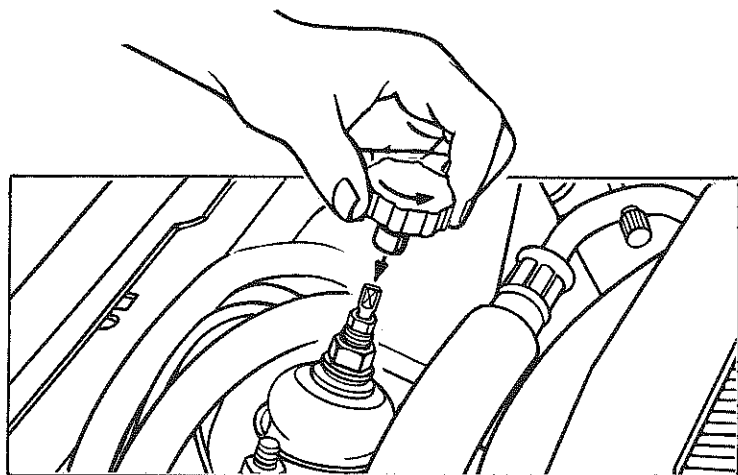
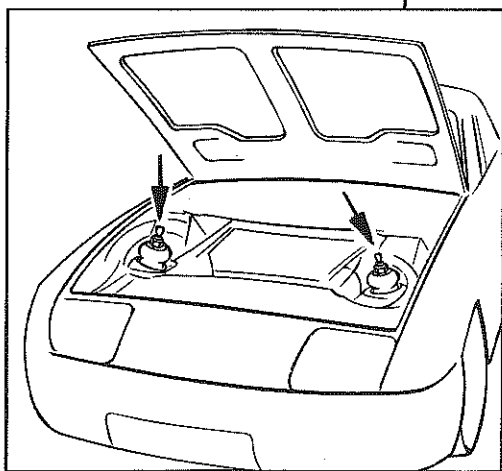
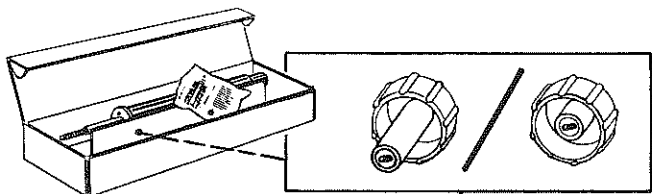
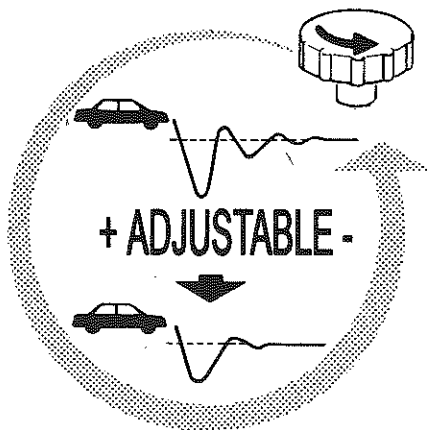


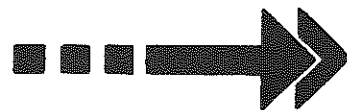
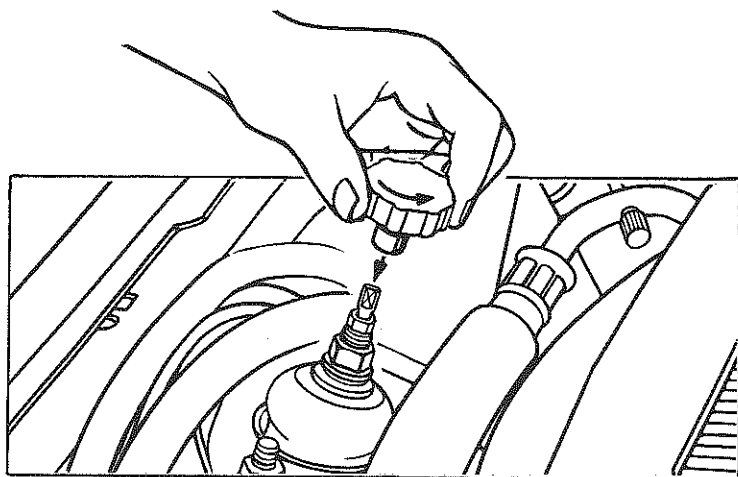
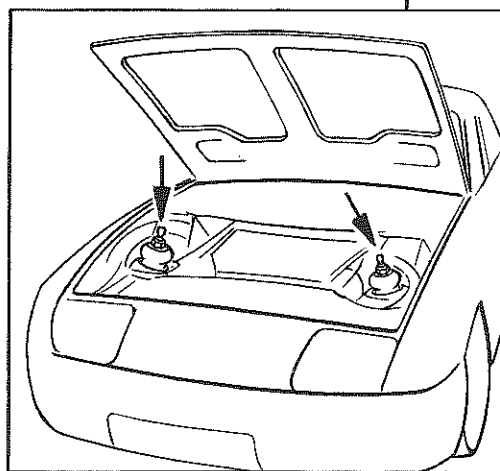
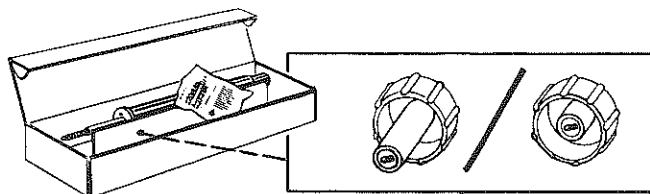
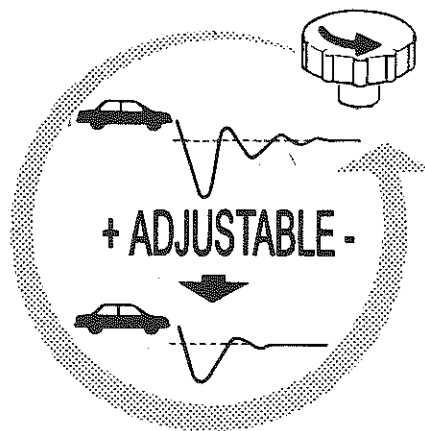
instruction

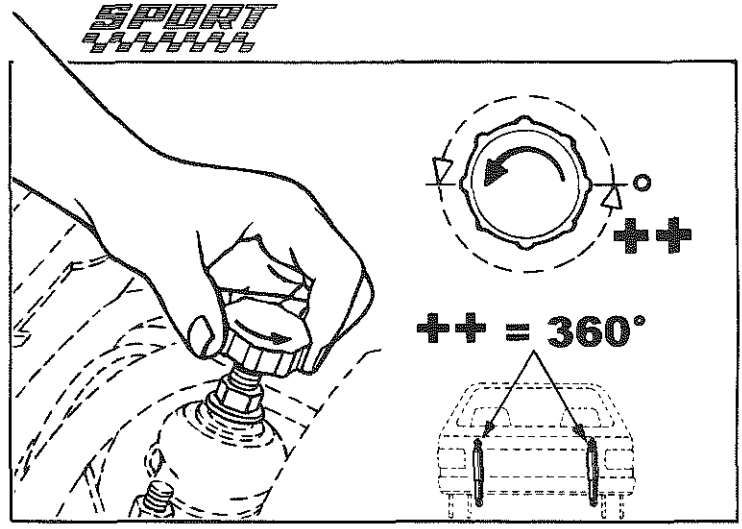
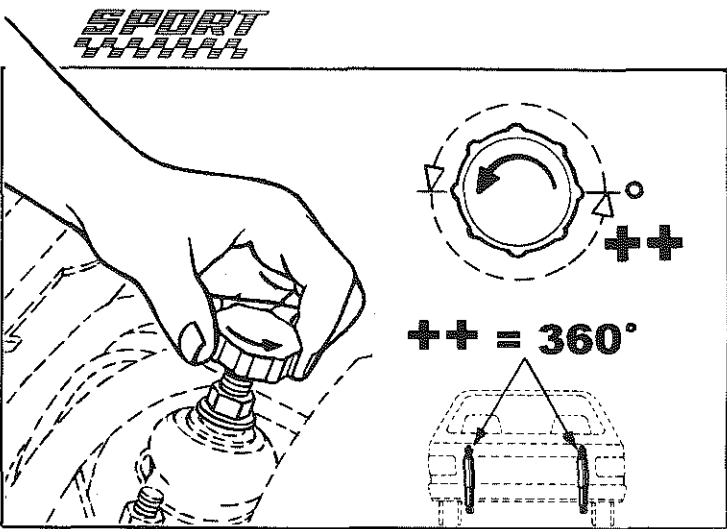
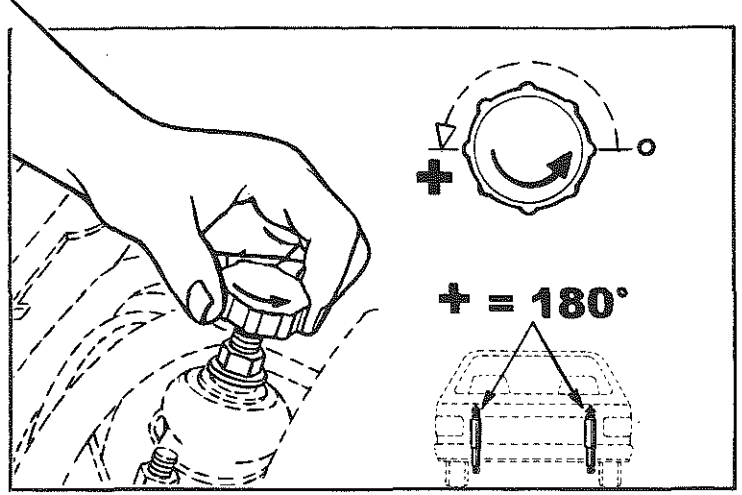
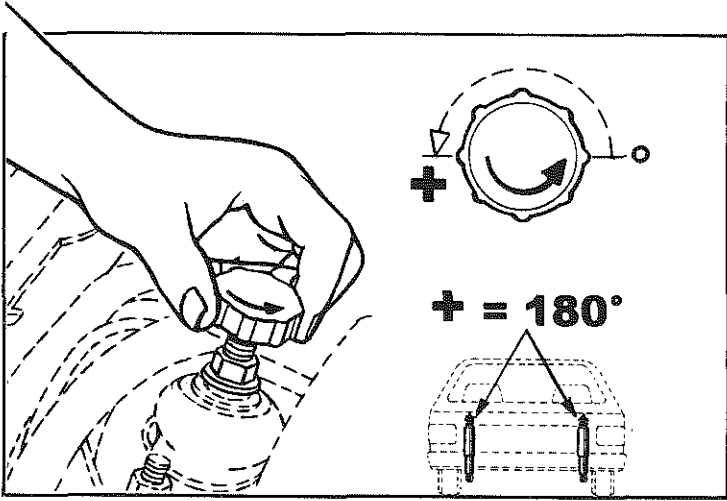
1027 05 13 42
211/2



instruction

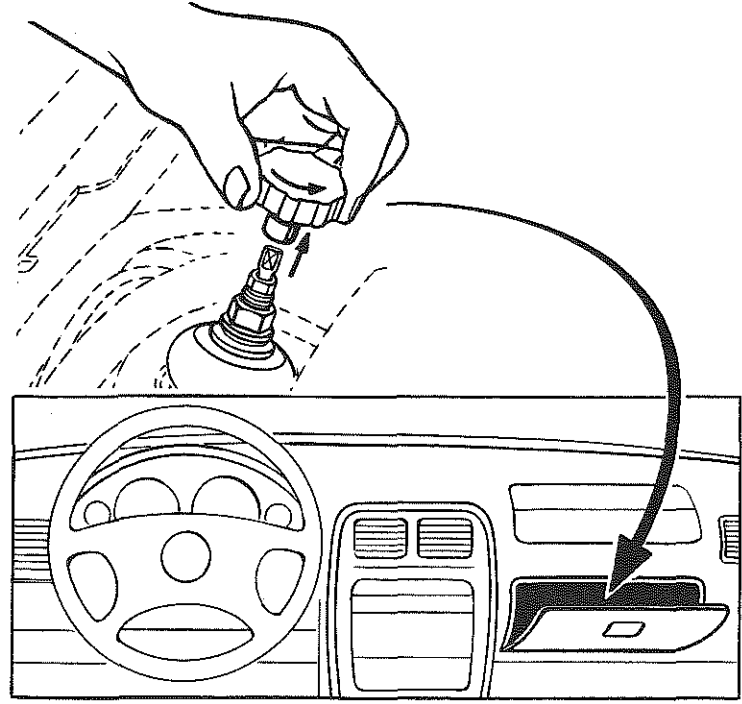
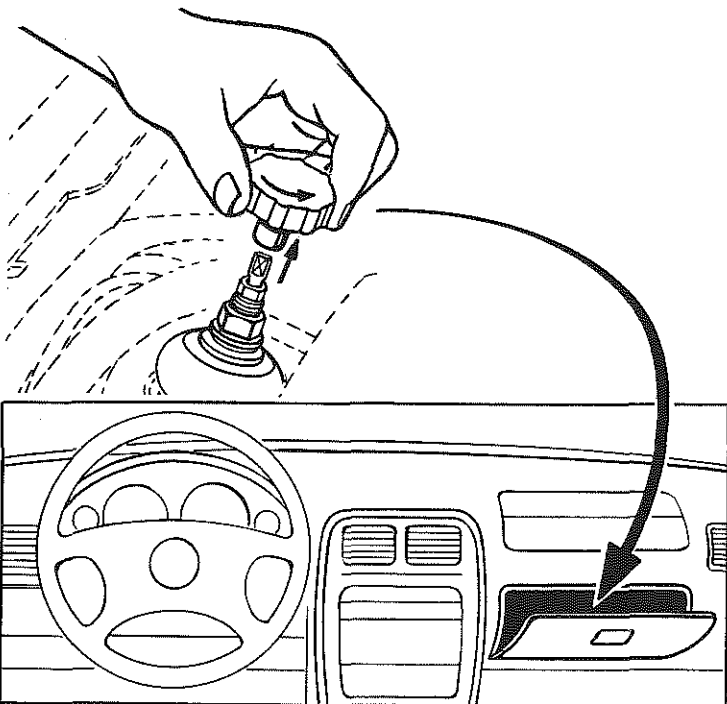
1027 05 13 42
211/2

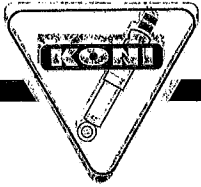




++++ = MAX. 720°

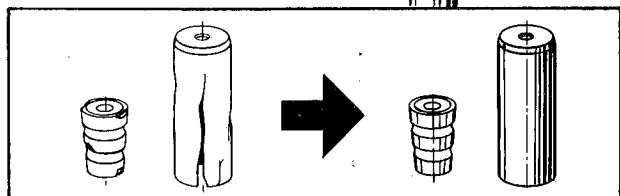
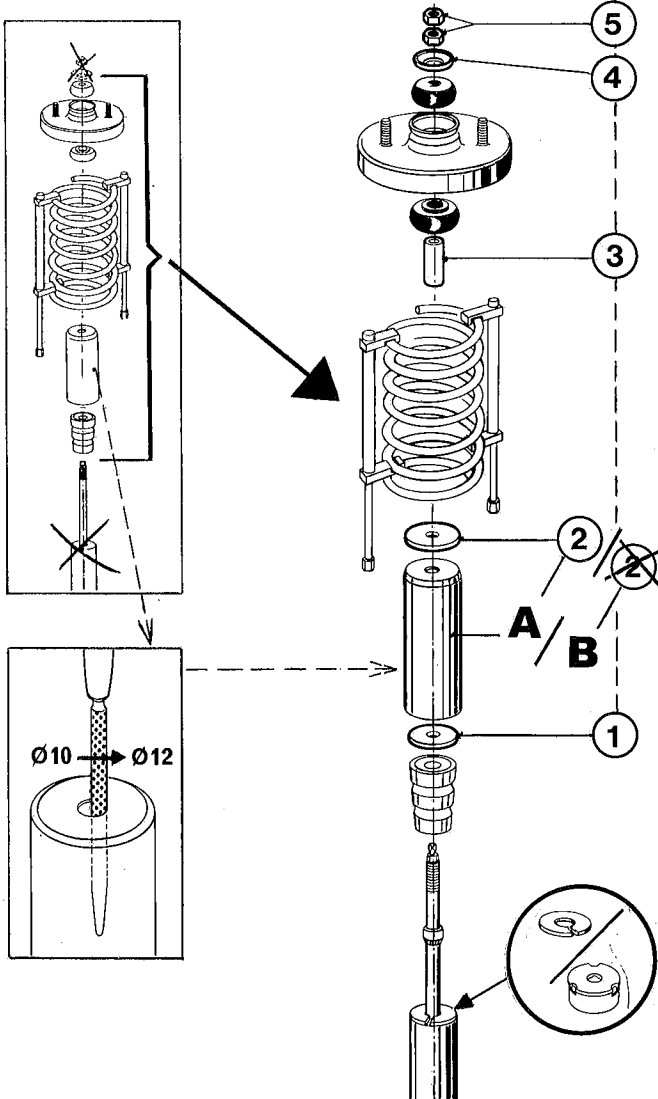
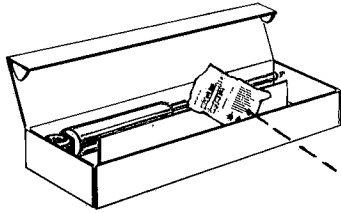
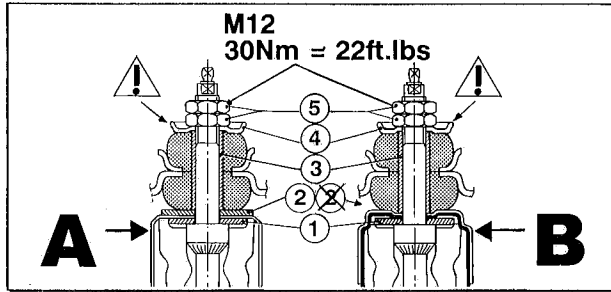
++++ = MAX. 720°





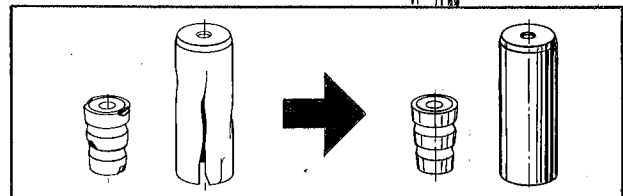
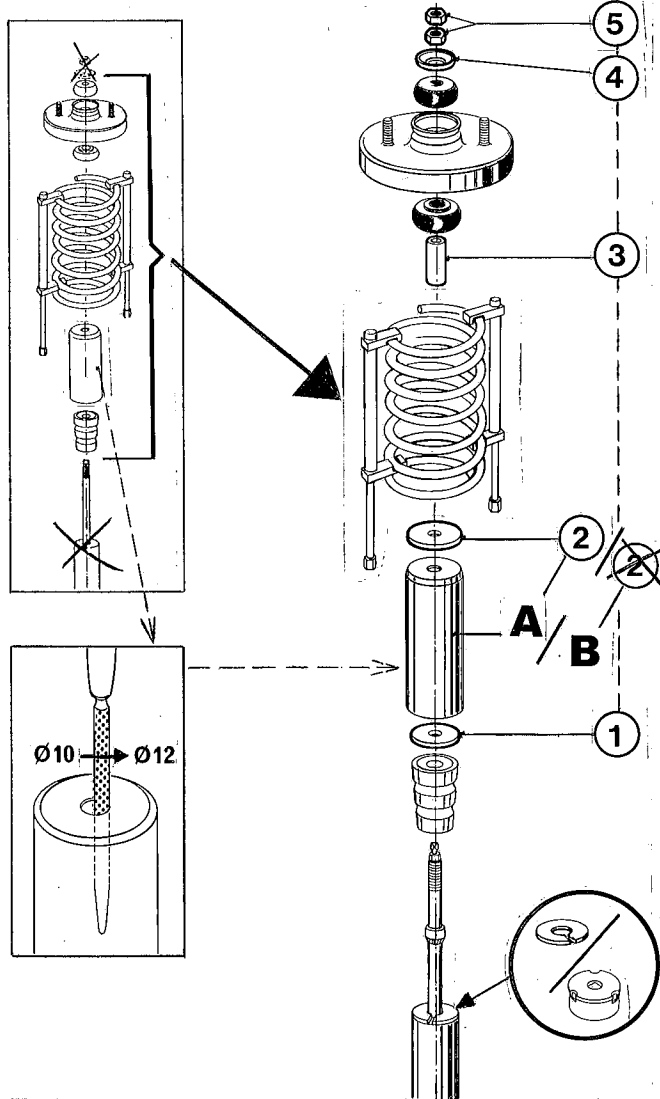
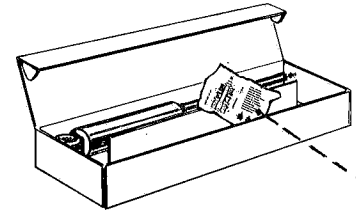
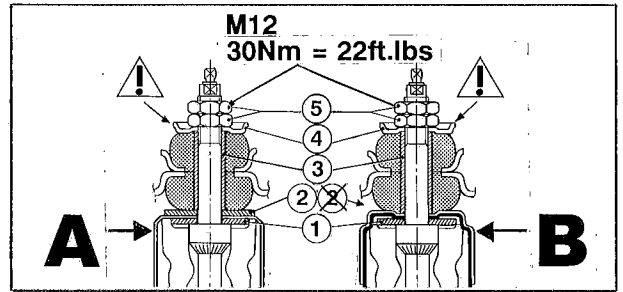
instruction

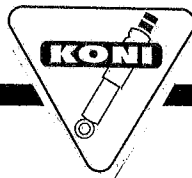
1027 05 15 90
301/2



instruction

1027 05 15 90
301/2





instruction

1027 05 17 76
107 /2

