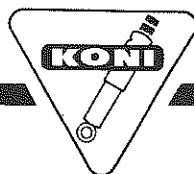
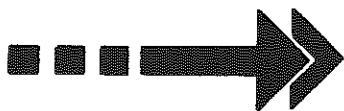
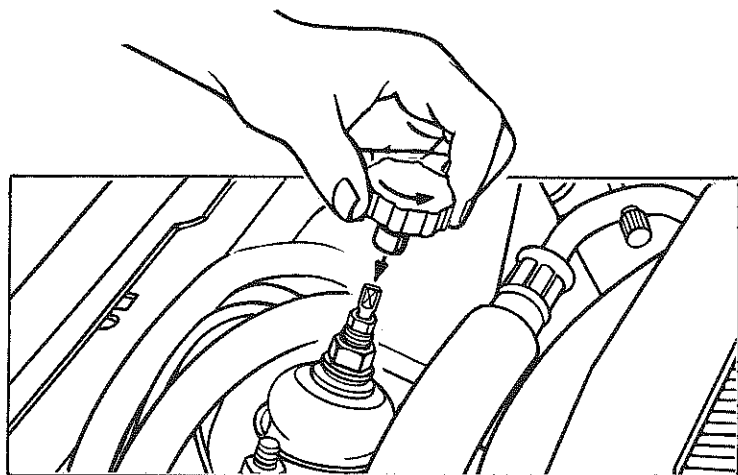
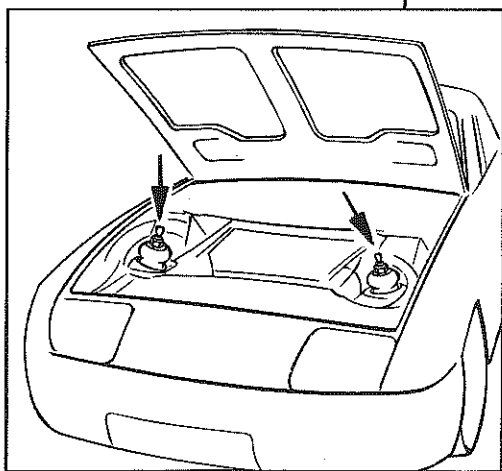
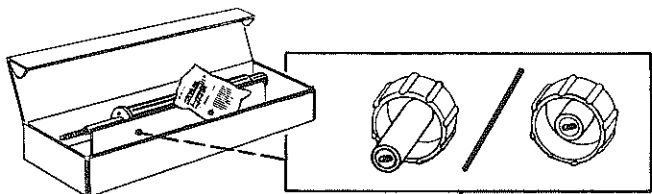
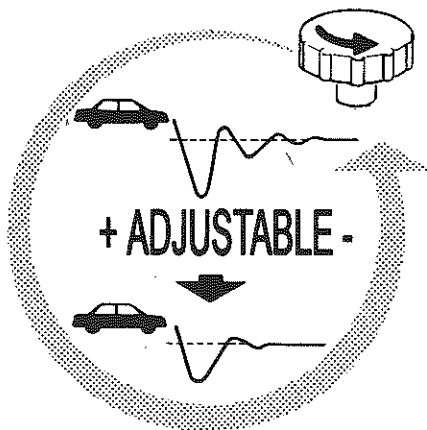


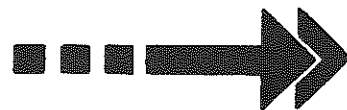
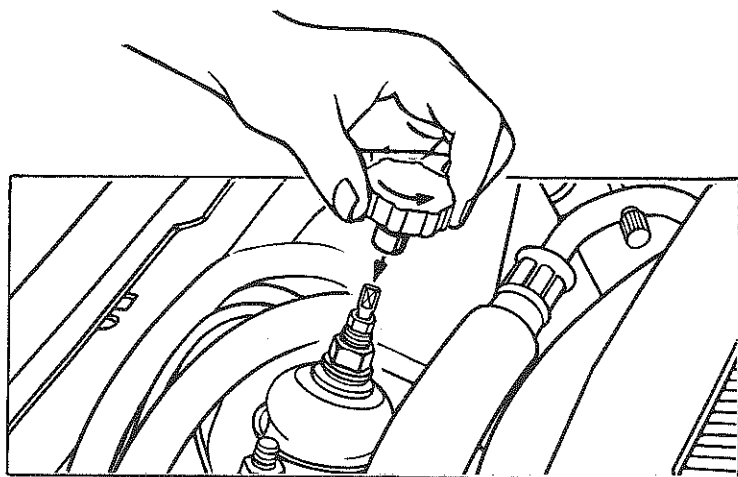
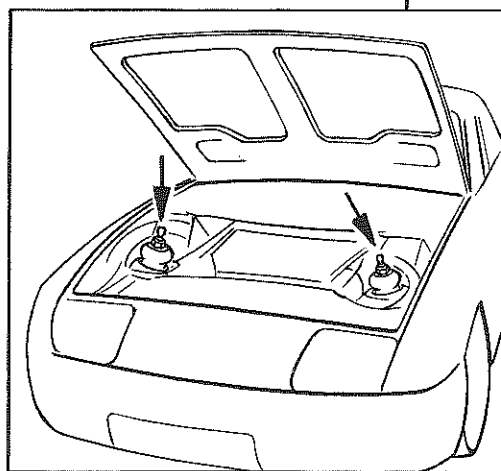
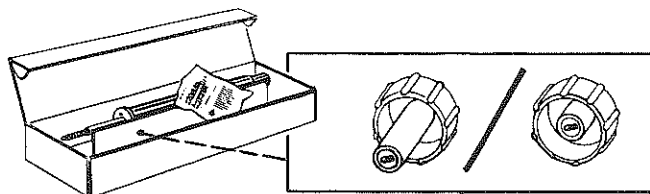
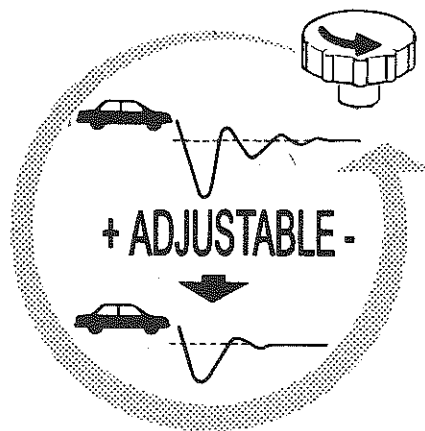
# instruction

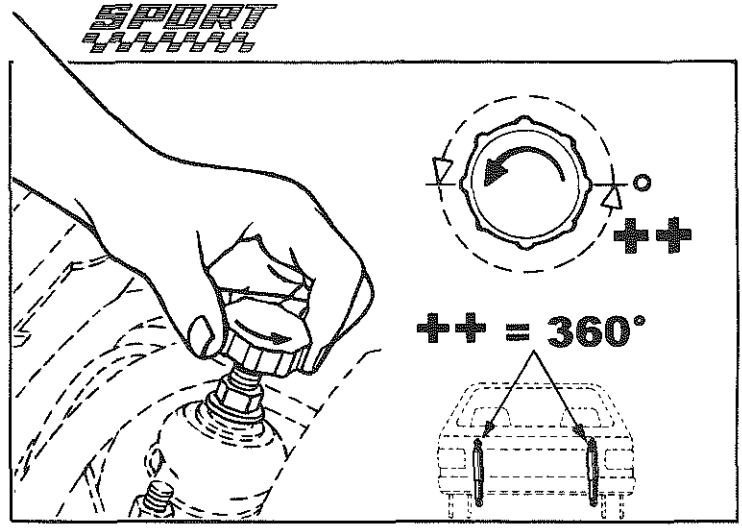
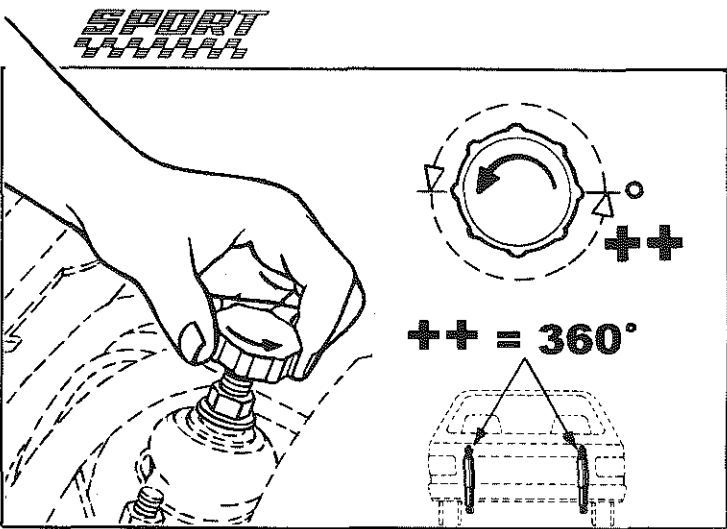
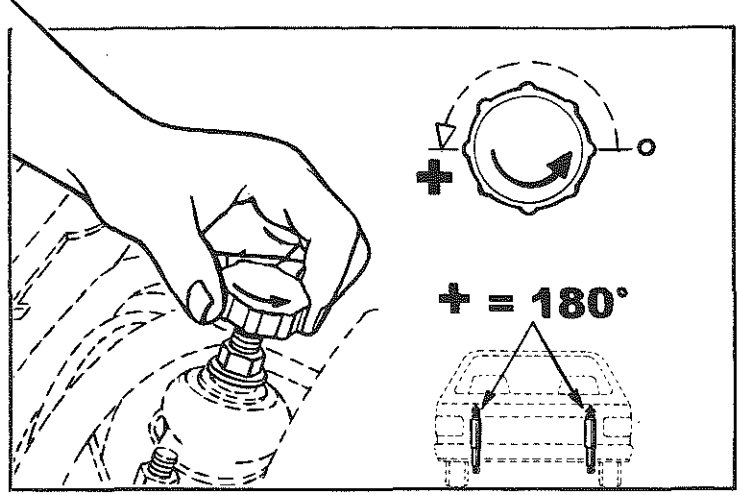
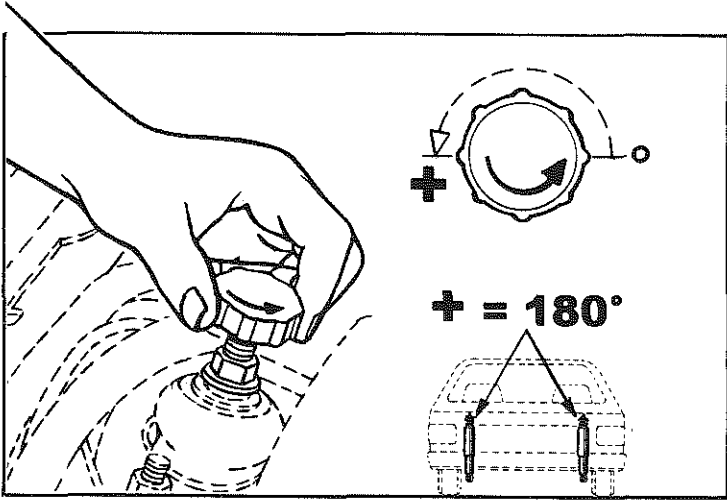
1027 05 13 42  
211/2



# instruction

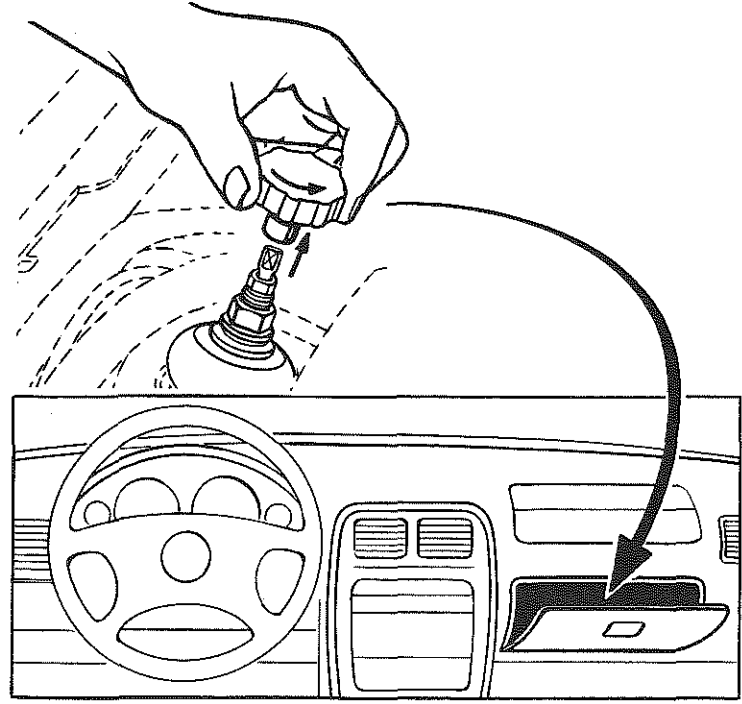
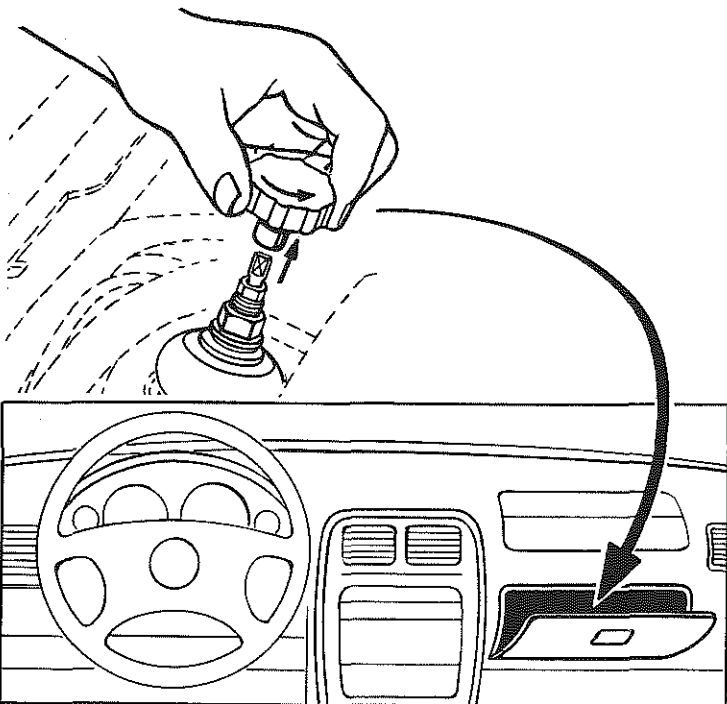
1027 05 13 42  
211/2

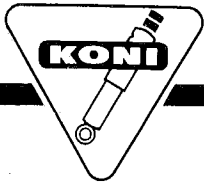




**++++ = MAX. 720°**

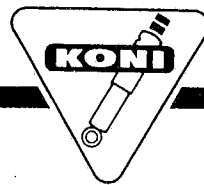
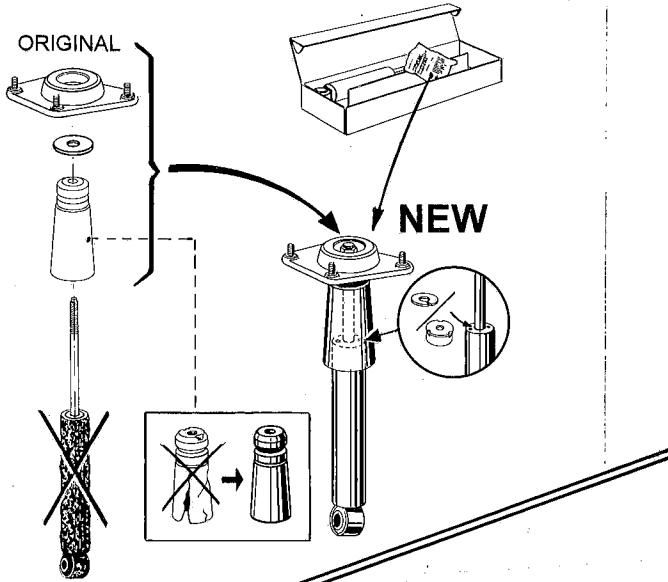
**++++ = MAX. 720°**





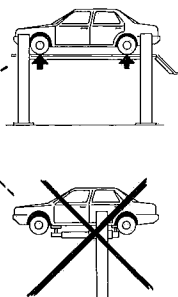
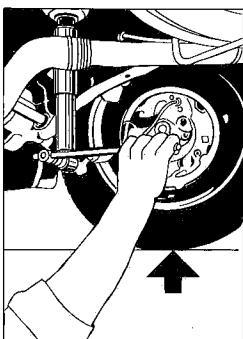
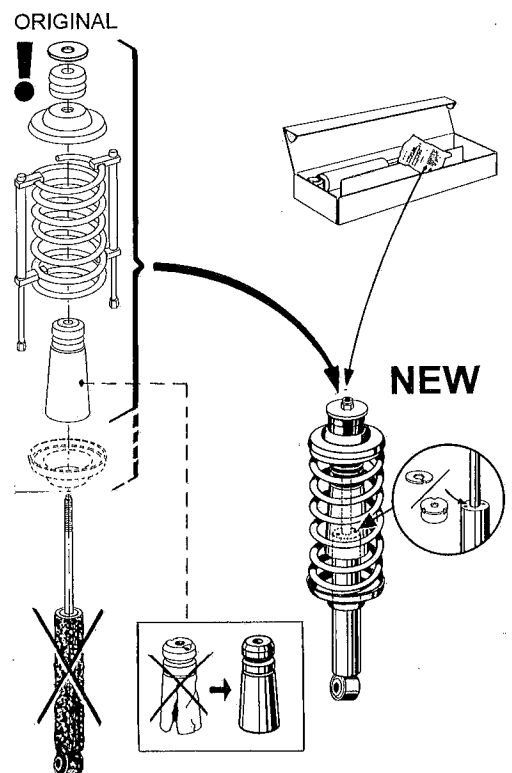
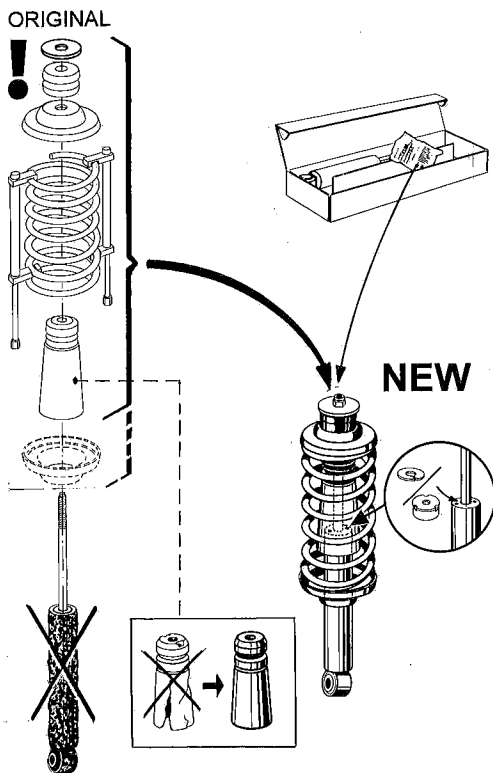
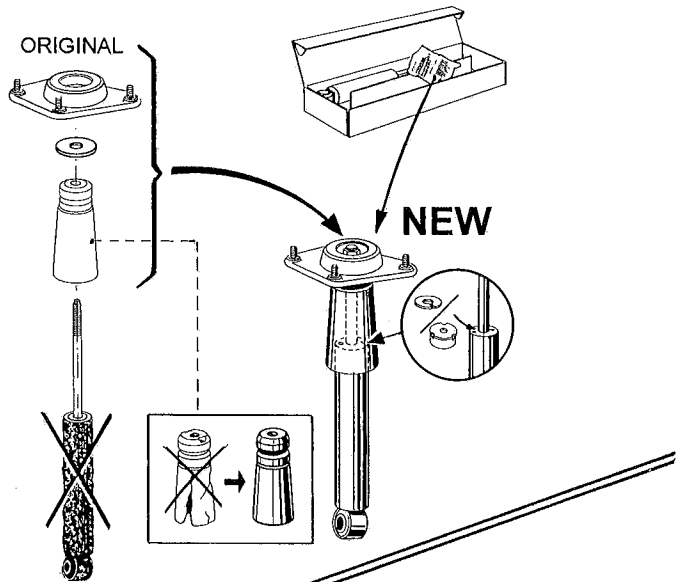
# instruction

1027 05 18 76  
301/2

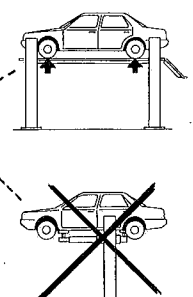
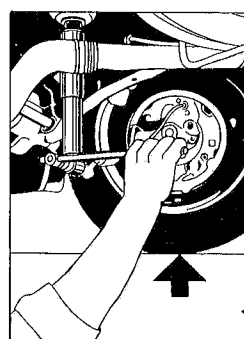


# instruction

1027 05 18 76  
301/2



AFST. / 1A →



AFST. / 1A →