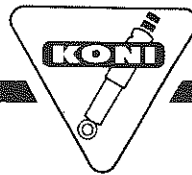
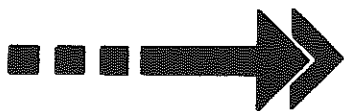
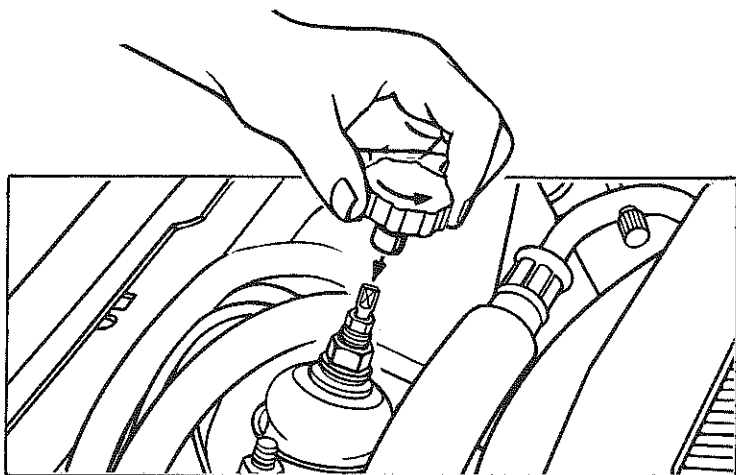
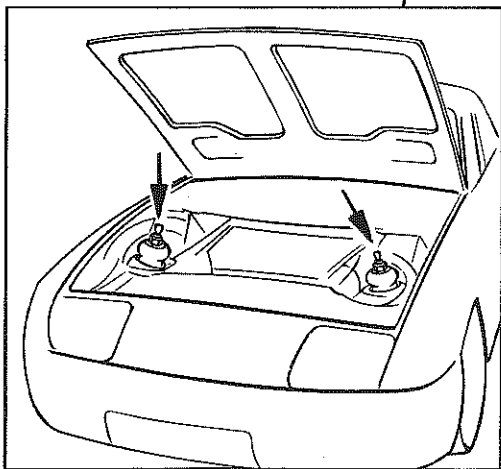
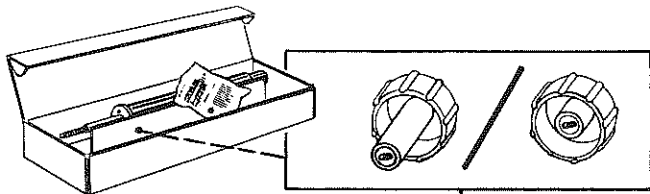
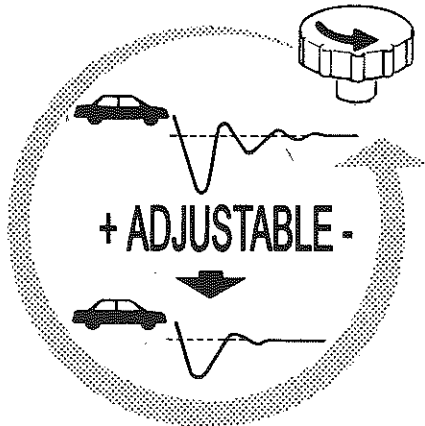


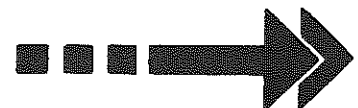
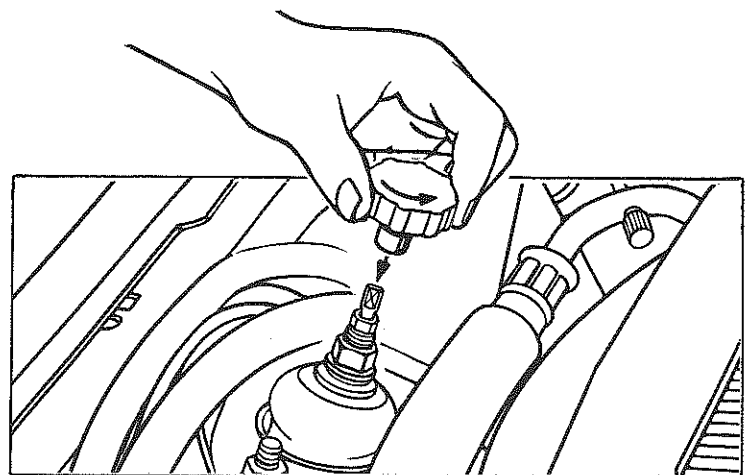
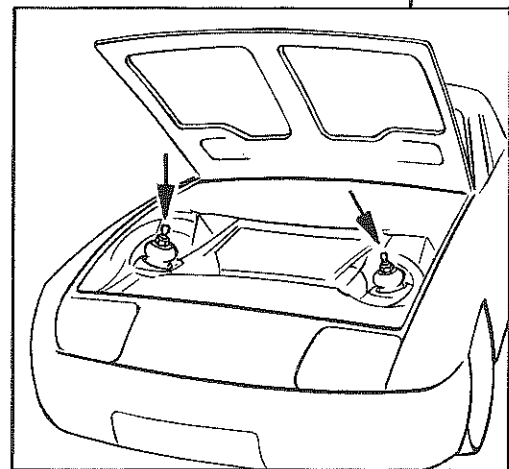
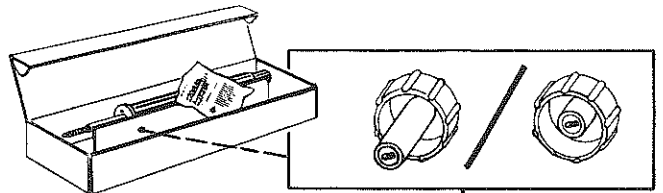
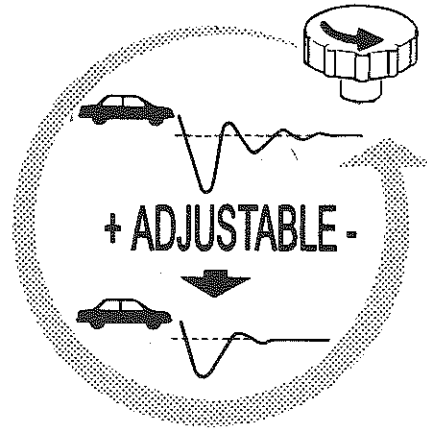
# instruction

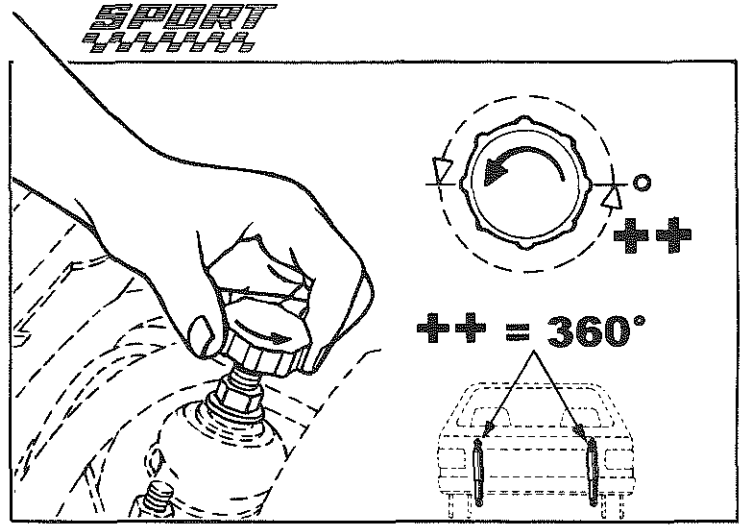
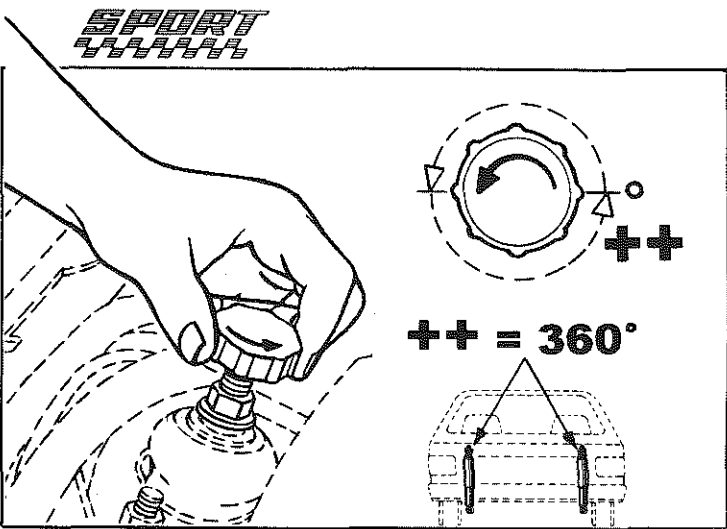
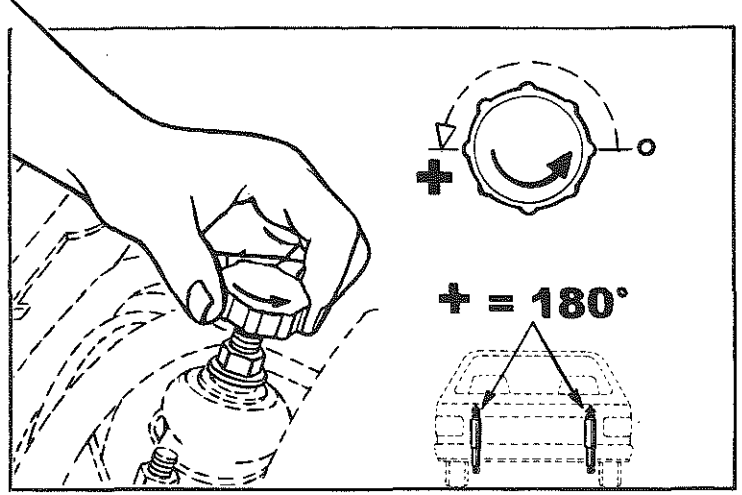
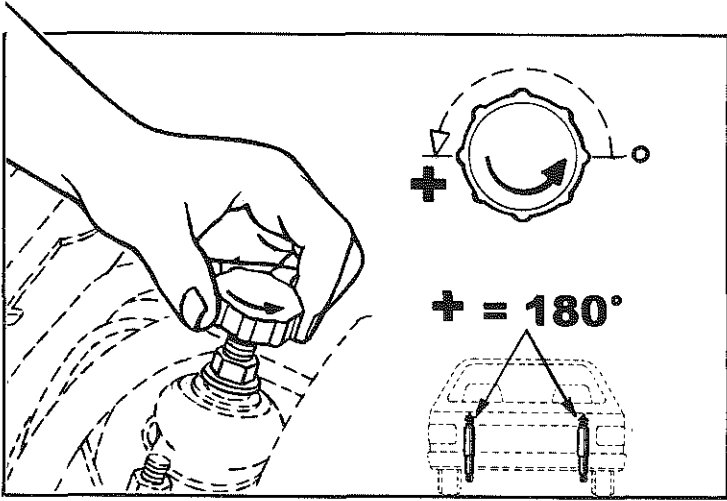
1027 05 13 42  
211/2



# instruction

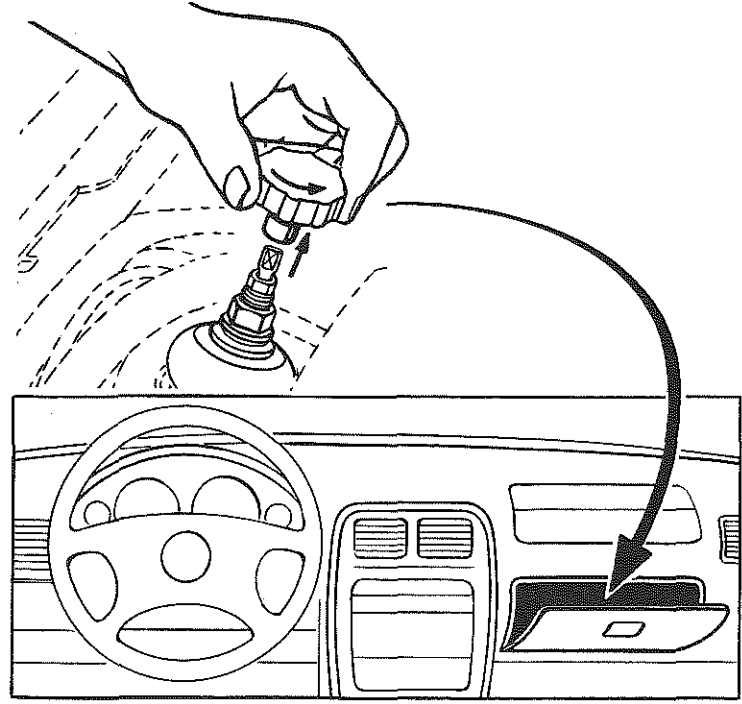
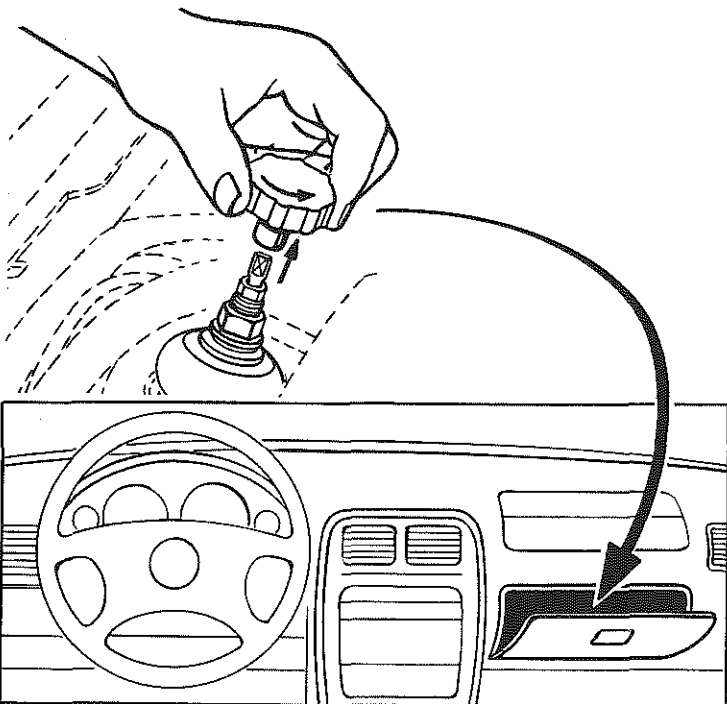
1027 05 13 42  
211/2

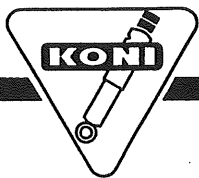




**++++ = MAX. 720°**

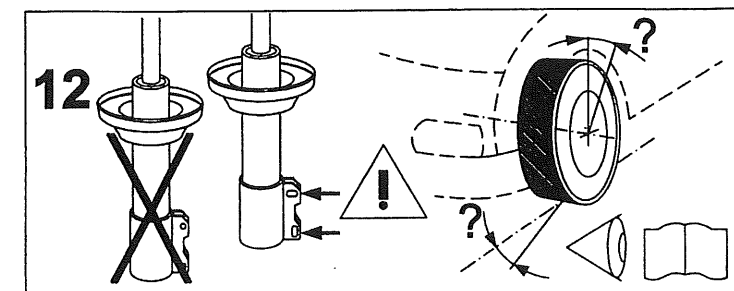
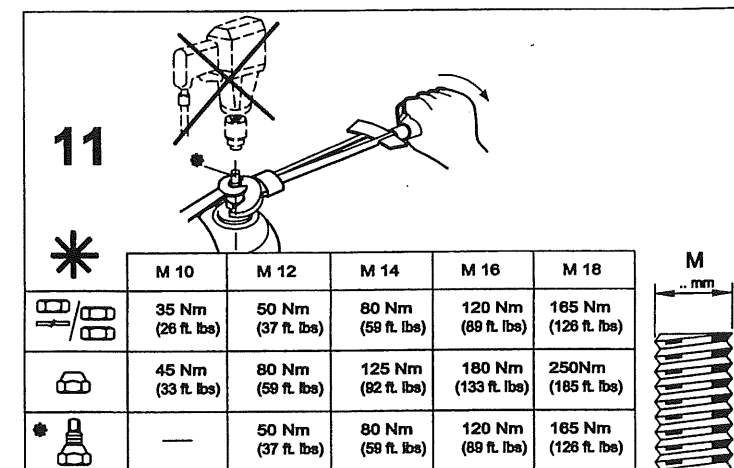
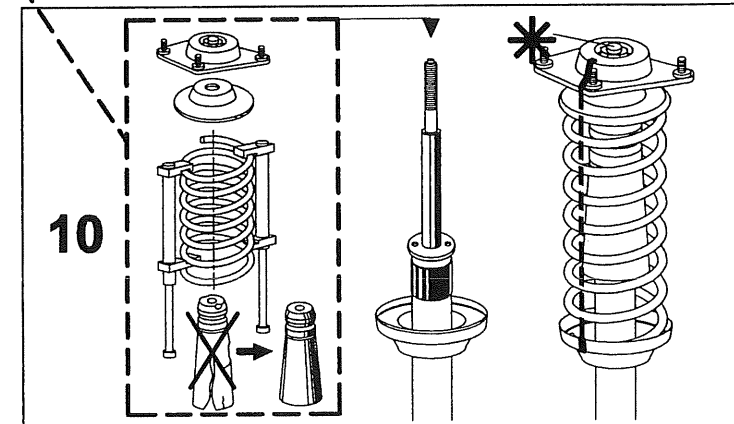
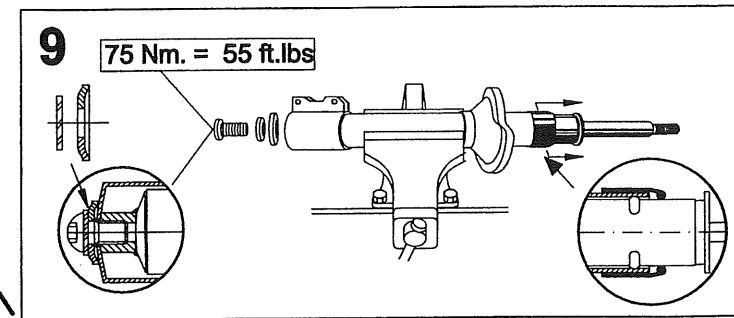
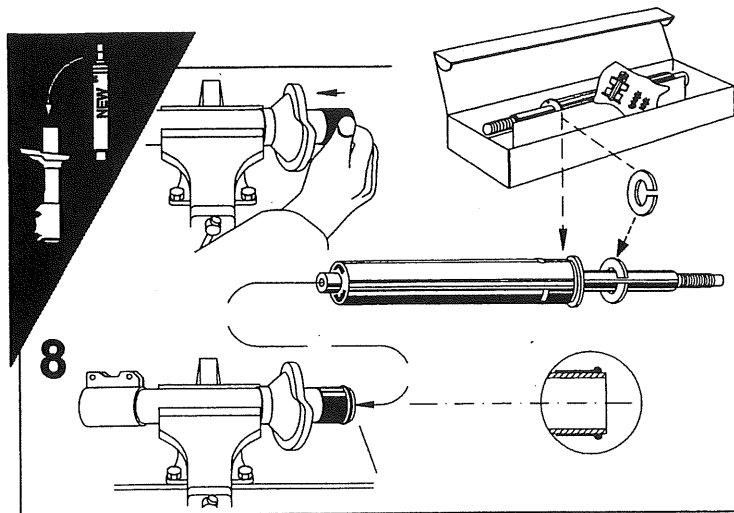
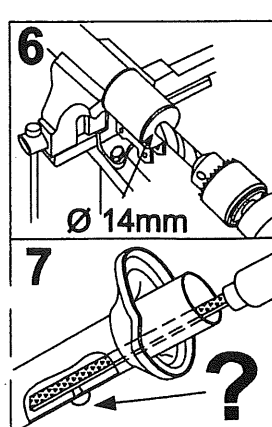
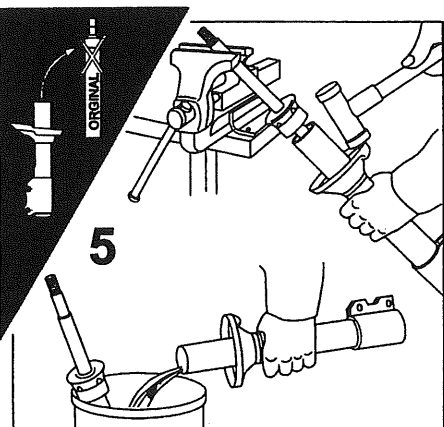
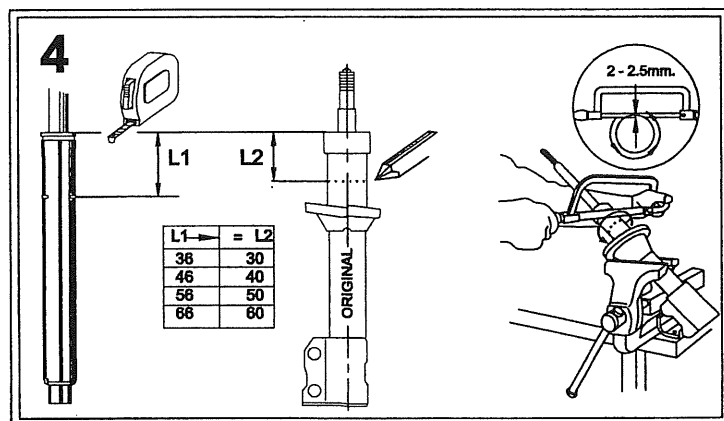
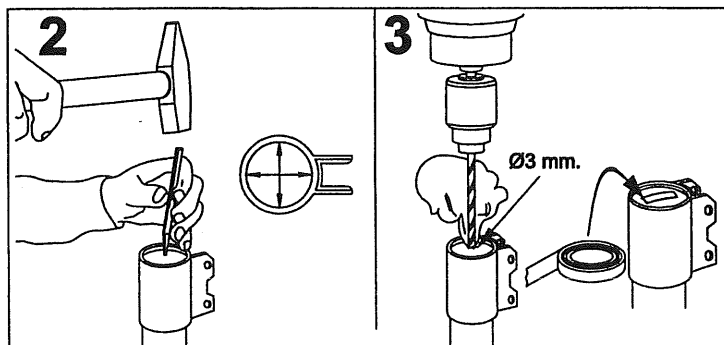
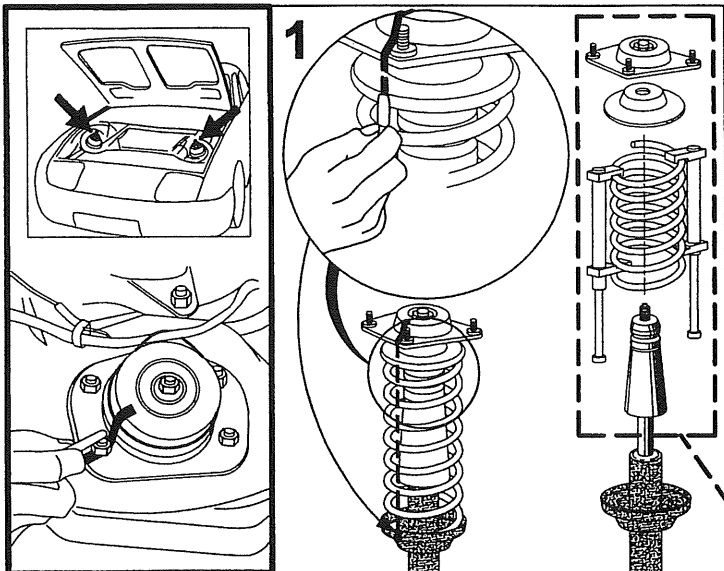
**++++ = MAX. 720°**

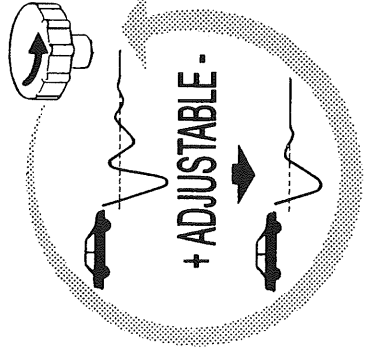
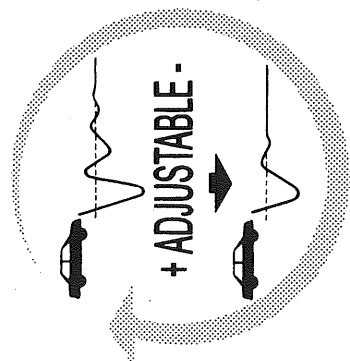
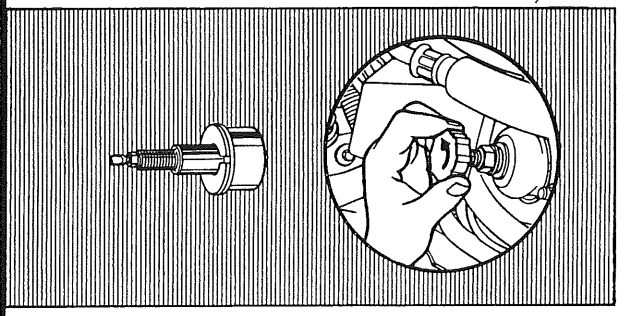
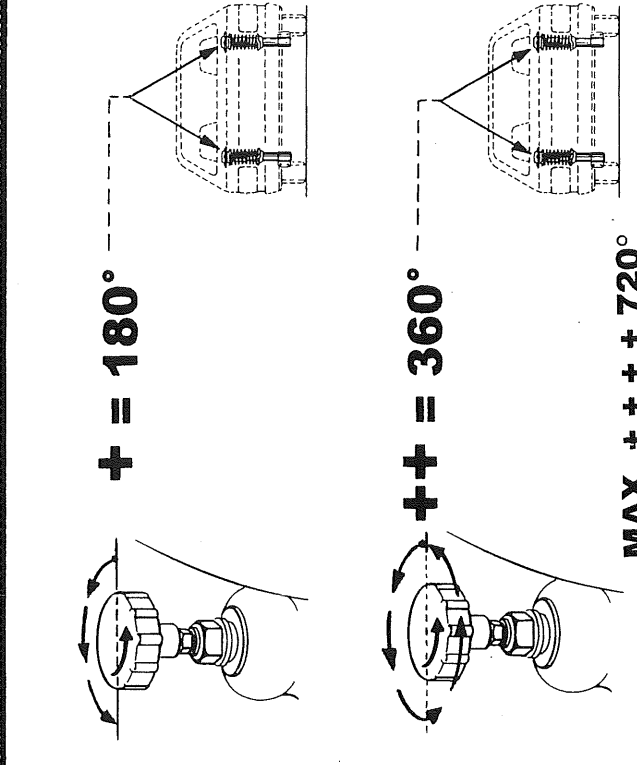
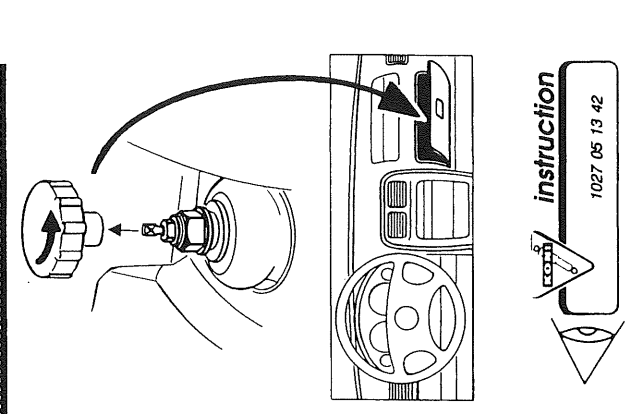
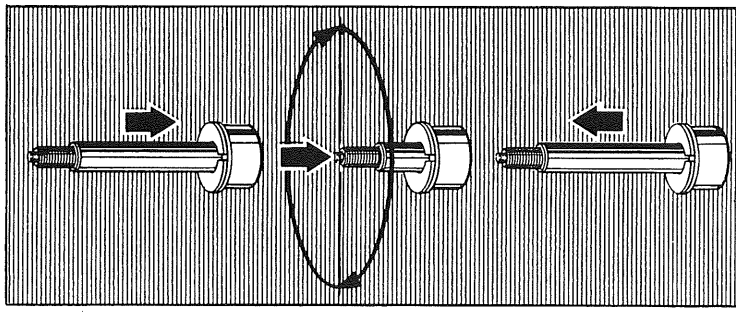
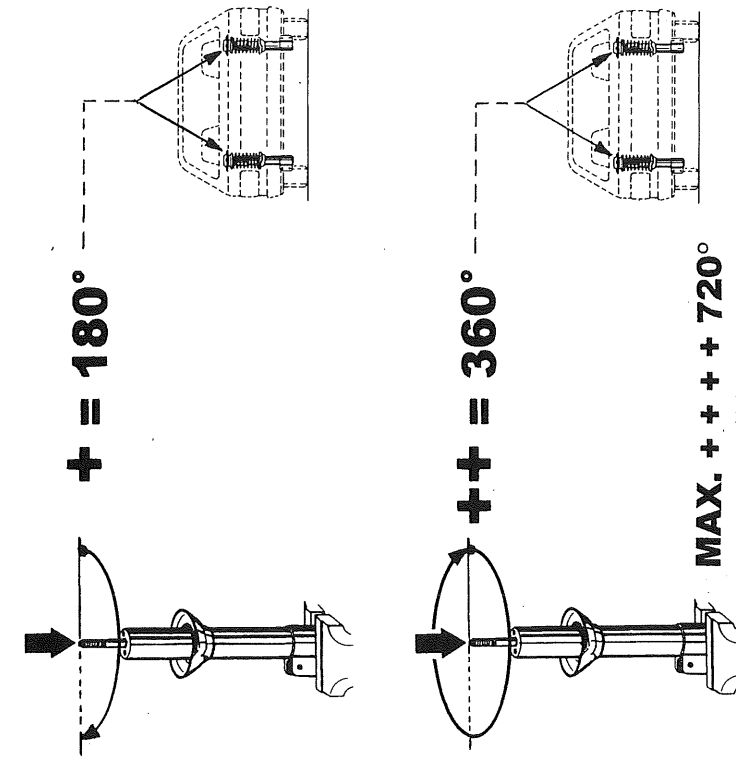
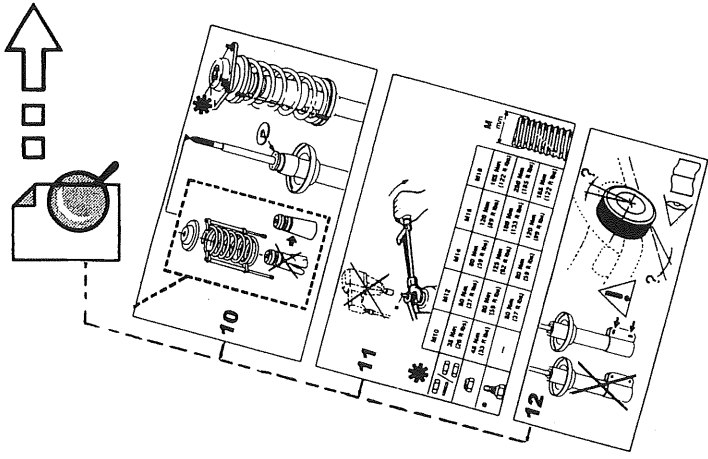




# instruction

1027 05 20 22  
207/2





**instruction**  
1027 05 13 42