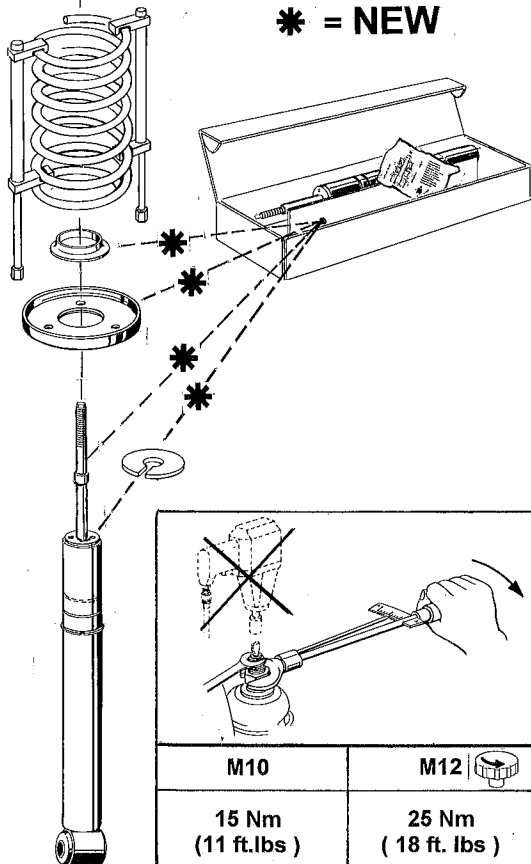
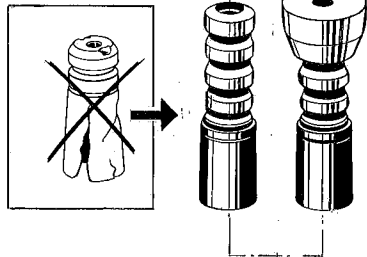
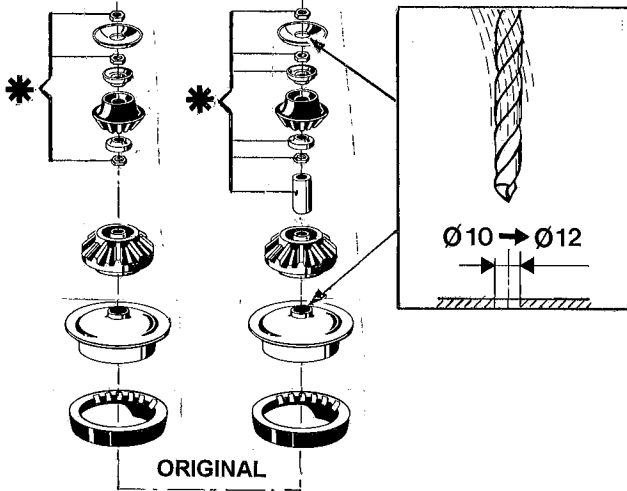


# instruction

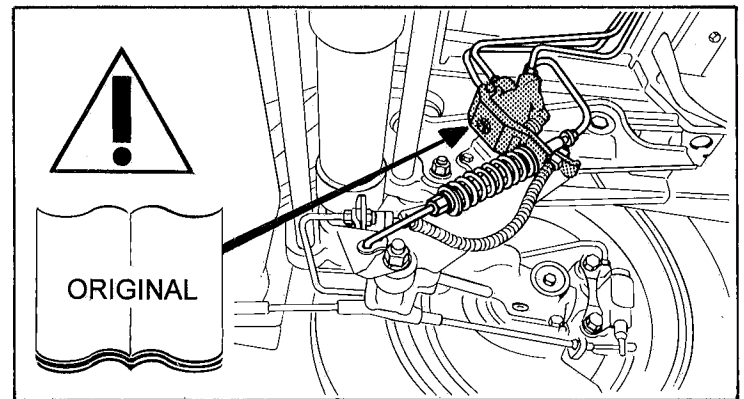
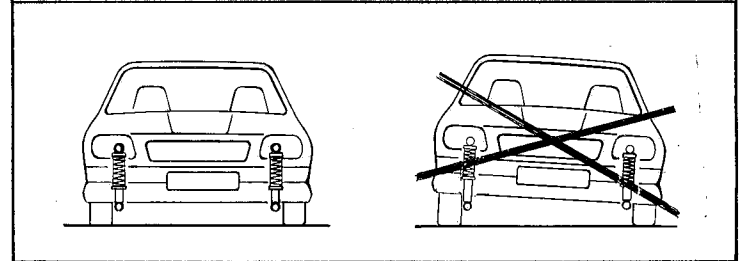
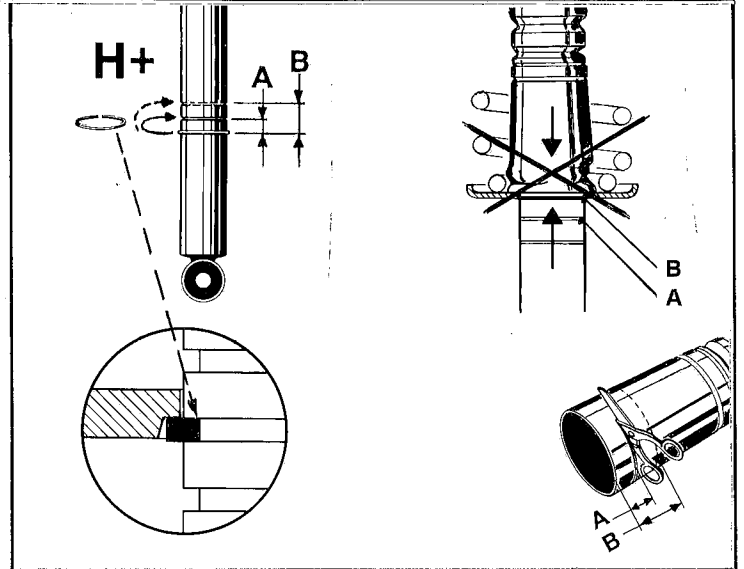
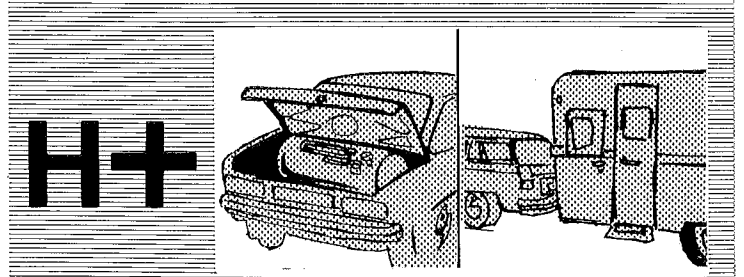
1027 05 16 53  
308/2

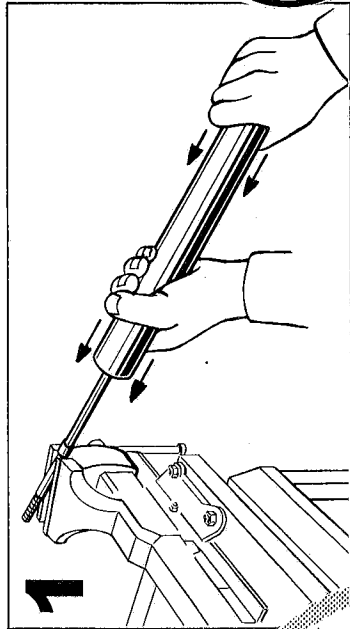
M10

M12

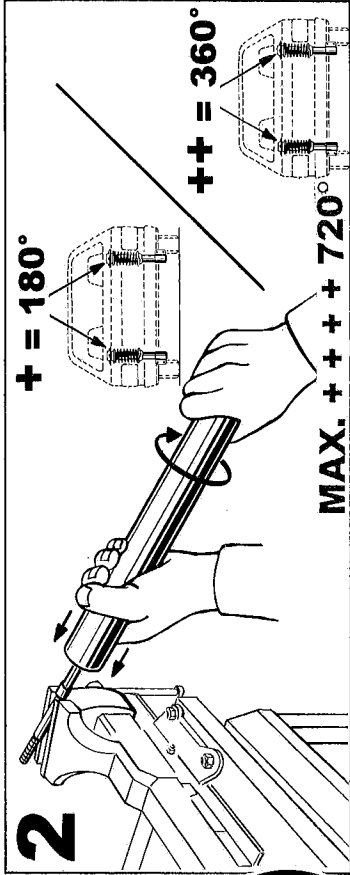


| M10                  | M12                  |
|----------------------|----------------------|
| 15 Nm<br>(11 ft.lbs) | 25 Nm<br>(18 ft.lbs) |

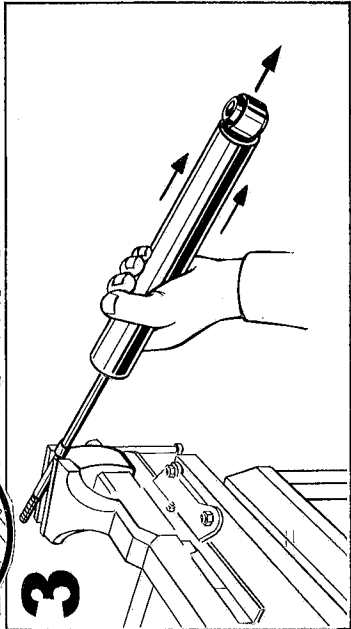
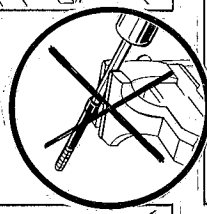




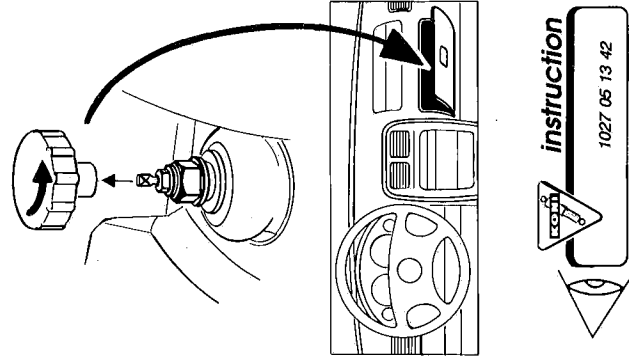
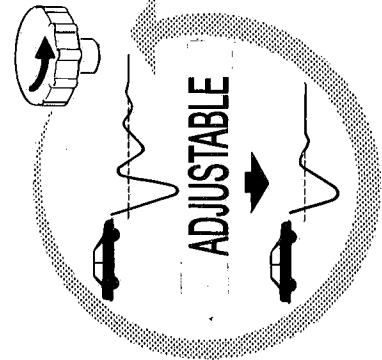
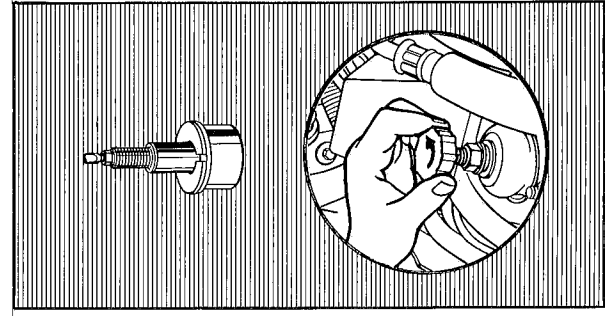
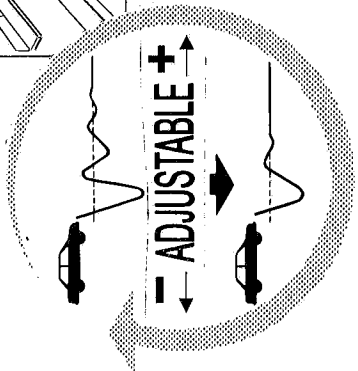
**1**



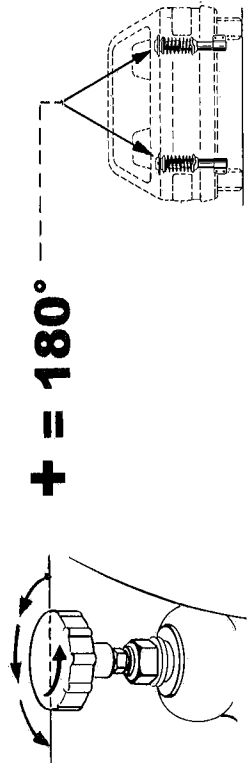
**2**



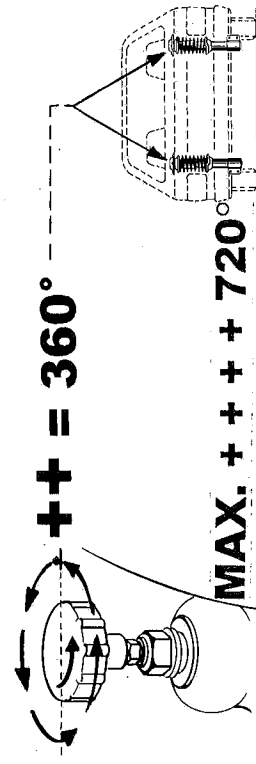
**3**



instruction  
1027\_05\_13\_42



**+ = 180°**



**++ = 360°**

**MAX. +++ + 720°**