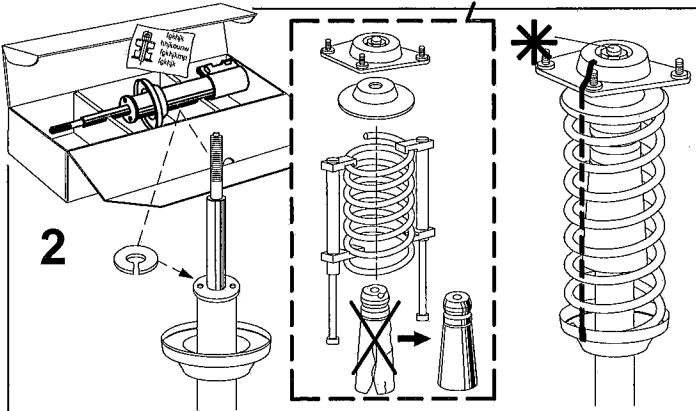
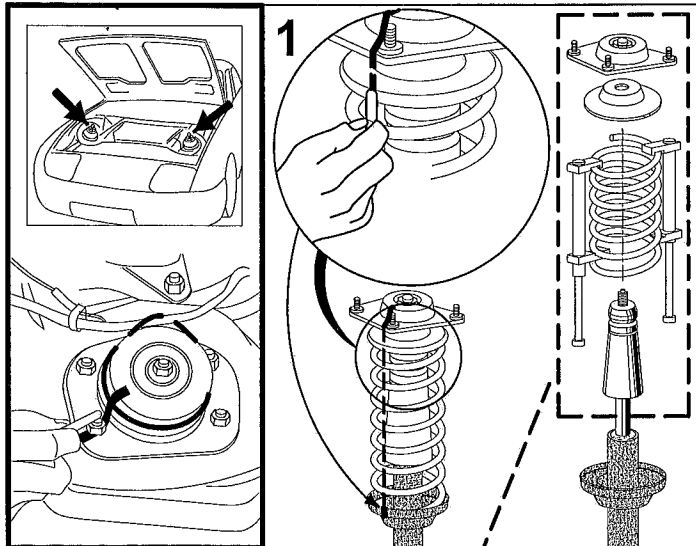




instruction

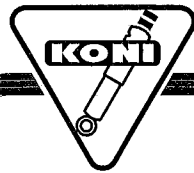
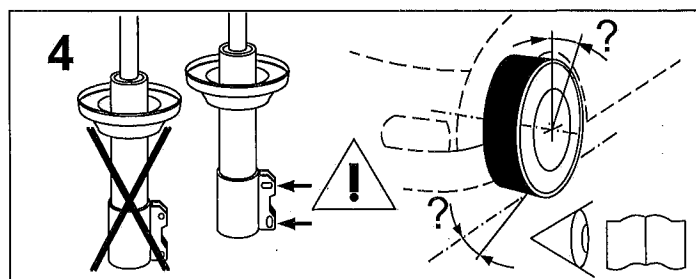
1027 45 14 88
412



3

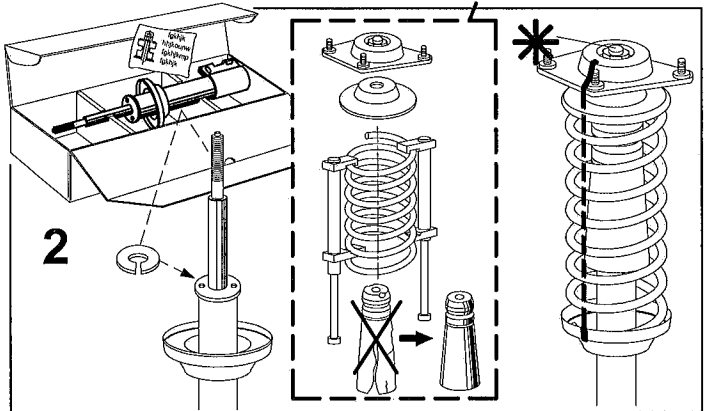
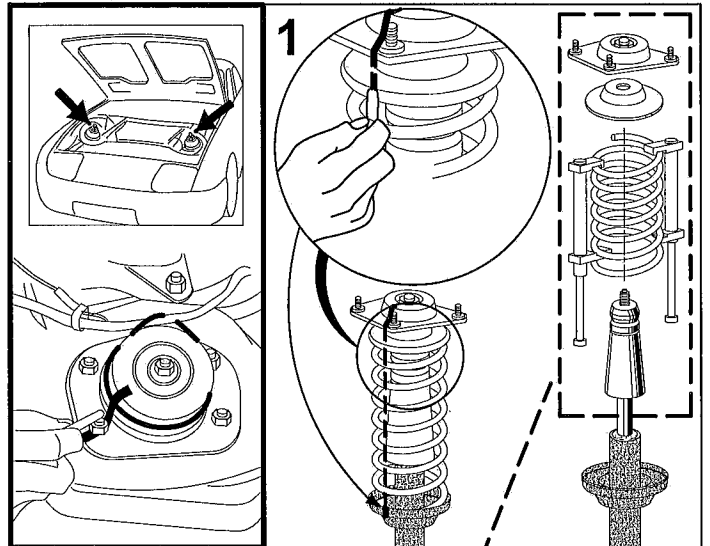
	M 10	M 12	M 14	M 16	M 18
	35 Nm (26 ft. lbs)	50 Nm (37 ft. lbs)	80 Nm (59 ft. lbs)	120 Nm (89 ft. lbs)	165 Nm (126 ft. lbs)
	45 Nm (33 ft. lbs)	80 Nm (59 ft. lbs)	125 Nm (92 ft. lbs)	180 Nm (133 ft. lbs)	250 Nm (185 ft. lbs)
	—	50 Nm (37 ft. lbs)	80 Nm (59 ft. lbs)	120 Nm (89 ft. lbs)	165 Nm (126 ft. lbs)

M
...mm



instruction

1027 45 14 88
412



3

	M 10	M 12	M 14	M 16	M 18
	35 Nm (26 ft. lbs)	50 Nm (37 ft. lbs)	80 Nm (59 ft. lbs)	120 Nm (89 ft. lbs)	165 Nm (126 ft. lbs)
	45 Nm (33 ft. lbs)	80 Nm (59 ft. lbs)	125 Nm (92 ft. lbs)	180 Nm (133 ft. lbs)	250 Nm (185 ft. lbs)
	—	50 Nm (37 ft. lbs)	80 Nm (59 ft. lbs)	120 Nm (89 ft. lbs)	165 Nm (126 ft. lbs)

M
...mm

