



INTAKE SYSTEMS FOR VEHICLES LISTED ARE 50 STATE LEGAL. SEE KNFILTERS.COM FOR CARB STATUS ON EACH PART FOR A SPECIFIC VEHICLE.

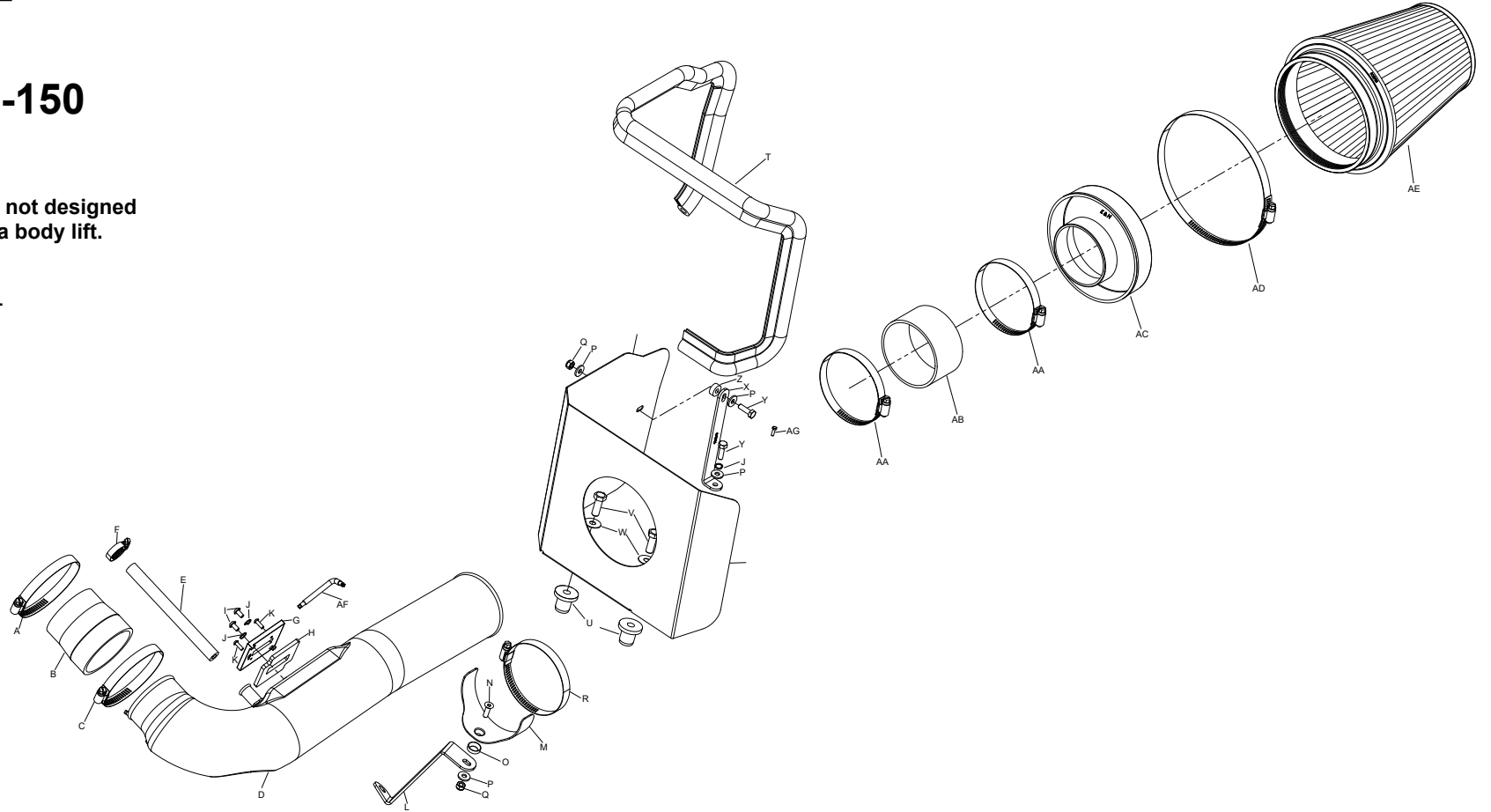
# INSTALLATION INSTRUCTIONS

**57-2572**  
**FORD**  
**2005-08 F-150**  
**V6-4.2L**

**NOTE:** This kit was not designed to fit vehicles with a body lift.

**TOOLS NEEDED:**

- Flat Blade Screwdriver
- Ratchet
- Extension
- 10mm Socket
- 3.5mm Allen
- 4.0mm Allen



**PARTS LIST:**

Description	Qty.	Part #
A HOSE CLAMP #44	1	08577
B HOSE 2.75" TO 3" TPRD.	1	08096
C HOSE CLAMP #48	1	08601
D INTAKE TUBE	1	087208A
E HOSE 5/8"ID X 23.5"L	1	08193
F HOSE CLAMP #10 MINI	1	08411
G ADAPTOR; NYLON 6/6 GF, BLACK	1	21515
H GASKET; 3/16 PORON	1	09069
I BOLT; M6 X 1 X 16MM	2	07730
J WASHER; 1/4" LOCK, ZN	3	08198
K SCREW; M4-.7 X 12, BUTTON	2	07726
L BRACKET; "Z"	1	26641
M BRACKET, SADDLE	1	078855
N BOLT; M6-1.00 X 20MM	1	08376
O WASHER; CONICAL, NYLON, BLACK	1	08180
P WASHER; 6MM FLAT	4	08269
Q NUT; 6MM NYLOCK, HEXHEAD	2	07553
R HOSE CLAMP #52	1	08610
S HEAT SHIELD	1	074021A
T EDGE TRIM 55"L	1	102480A
U INSERT; 3/8-16 X 3/400 X 15/16L	2	08163
V BOLT; 3/8"-16 X 1-1/4"L SS HEX	2	07779
W WASHER; 3/8" FLAT WASHER	2	08134
X BRACKET; SMALL "L"	1	070026A
Y BOLT; M6 X 1 X 20MM HEX	2	07795
Z SPACER; ALUM. .625" OD x .250" ID	1	06555
AA HOSE CLAMP #56	2	08620
AB HOSE 3.5"ID X 2"L	1	08630
AC ADAPTOR; #380	1	21512-1
AD HOSE CLAMP #104	1	08697
AE AIR FILTER	1	RU-5046
AF WRENCH; TORX T20 T/R, L-KEY	1	69801
AG SCREW; 12/24 X 7/8 HEXTEK #4	1	07789

**If you need any assistance please call 1-800-858-3333 to speak with a representative in our Customer Service Center before returning the product.**

**NOTE: FAILURE TO FOLLOW INSTALLATION INSTRUCTIONS AND NOT USING THE PROVIDED HARDWARE MAY DAMAGE THE INTAKE TUBE, THROTTLE BODY AND ENGINE.**

**TO START:**

1. Turn off the ignition and disconnect the negative battery.

**NOTE: Disconnecting the negative battery cable erases pre-programmed electronic memories. Write down all memory settings before disconnecting the negative battery cable. Some radios will require an anti-theft code to be entered after the battery is reconnected. The anti-theft code is typically supplied with your owner's manual. In the event your vehicles' anti-theft code cannot be recovered, contact an authorized dealership to obtain your vehicles anti-theft code.**



2. Rotate the crank case vent hose locking rings and pull the crank case vent hose off of the valve cover and intake tube as shown.



3. Loosen the hose clamps that secure the stock intake tube to the throttle body and air filter housing; remove the intake tube from the vehicle.



4. Firmly pull up the assembly to unhook it from the mounting grommets and inner fender as shown. **NOTE: Use caution as the mass air sensor electrical harness will still be connected. NOTE: K&N Engineering, Inc., recommends that customers do not discard factory air intake.**



5. Unhook the secondary mass air sensor connection from the clip that secures it to the air box mounting bracket, then disconnect the secondary mass air connection.



6. Remove the two air box mounting grommets from the bracket as shown.



7. Install the saddle bracket onto the tube mounting bracket as shown.



8. Remove the lower front A/C compressor mounting bolt shown.

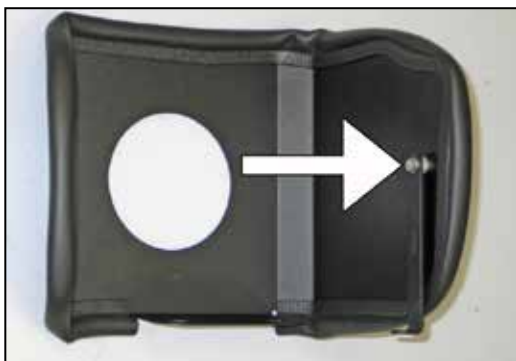
**NOTE: This bolt will be reused.**



9. Install the tube mounting bracket assembly onto the A/C compressor using the bolt removed in the previous step.



10. Install the edge trim onto the heat shield as shown.



11. Install the heat shield mounting bracket onto the heat shield with the provided spacer and hardware as shown.



12. Install the inserted nuts into the heat shield with the provided hardware as shown.

**NOTE: Do not tighten the bolts at this time.**



13. Install the heat shield assembly into position with the rubber insert nuts installed into the small portion of the factory holes.



14. Secure the heat shield mounting bracket to the inner fender with the provided hardware and tighten the two inserted nuts.

**NOTE: Due to vehicle manufacturing inconsistencies, some vehicles may not be equipped with the threaded hole in the factory filter mounting plate. In this case, it will be necessary to drill a 1/8" id hole in the filter mounting plate and attach the heat shield mounting bracket with the provided sheet metal screw.**



15. Release the clam shell clamp to open the air cleaner assembly as shown.



16. Slide the rubber grommet back to gain access to the mass air sensor electrical connector. Using a small screwdriver, release the red locking tab and disconnect the electrical connection, then remove the wiring harness.



17. Using a flat blade screwdriver, push in and release the mass air retaining plate clips and lift as shown.



18. Using the supplied T20 TORX, remove the two screws that secure the mass air sensor and then remove the mass air sensor as shown.



19. Install the supplied gasket onto the mass air sensor adapter as shown.



20. Install the mass air sensor into the adapter using the provided bolts.



21. Install the mass air sensor assembly into the K&N® intake tube and secure with the provided hardware.

**NOTE: The opening in the mass air sensor will point towards the filter end of the tube as shown.**



22. Install the silicone hose (08096) onto the throttle body and secure with the provided hose clamp.



23. Install the intake tube into the silicone hose at the throttle body and align with the saddle clamp. Secure the intake tube with the provided hose clamp.



24. Install the filter adapter into the K&N® air filter and secure with the provided hose clamp.



25. Install the silicone hose (08630) onto the filter assembly and secure with the provided hose clamp.



26. Install the filter assembly onto the intake tube and secure with the provided hose clamp.  
**NOTE: Drycharger® air filter wrap; part # RC-5046DK is available to purchase separately. To learn more about Drycharger® filter wraps or look up color availability please visit <http://www.knfilters.com>®.**



27. Install the supplied crank case vent hose onto the valve cover and secure with the provided hose clamp. Connect the other end onto the intake tube as shown.



28. Reconnect the mass air sensor secondary connection and then reconnect the remaining end to the mass air sensor.



29. Reconnect the vehicle's negative battery cable. Double check to make sure everything is tight and properly positioned before starting the vehicle.

30. The C.A.R.B. exemption sticker, (attached), must be visible under the hood so that an emissions inspector can see it when the vehicle is required to be tested for emissions. California requires testing every two years, other states may vary.

31. It will be necessary for all K&N® high flow intake systems to be checked periodically for realignment, clearance and tightening of all connections. Failure to follow the above instructions or proper maintenance may void warranty.

#### ROAD TESTING:

1. Start the engine with the transmission in neutral or park, and the parking brake engaged. Listen for air leaks or odd noises. For air leaks secure hoses and connections. For odd noises, find cause and repair before proceeding. This kit will function identically to the factory system except for being louder and much more responsive.

2. Test drive the vehicle. Listen for odd noises or rattles and fix as necessary.

3. If road test is fine, you can now enjoy the added power and performance from your kit.

4. K&N Engineering, Inc., requires cleaning the intake system's air filter element every 100,000 miles. When used in dusty or off-road environments, our filters will require cleaning more often. We recommend that you visually inspect your filter once every 25,000 miles to determine if the screen is still visible. When the screen is no longer visible some place on the filter element, it is time to clean it. To clean and re-oil, purchase our filter Recharger® service kit, part number 99-5050 or 99-5000 and follow the easy instructions.

**INTAKE SYSTEMS FOR VEHICLES LISTED ARE 50 STATE LEGAL. SEE KNFILTERS.COM FOR CARB STATUS ON EACH PART FOR A SPECIFIC VEHICLE.**