



# AIRCHARGER®

## HIGH-FLOW INTAKE KITS

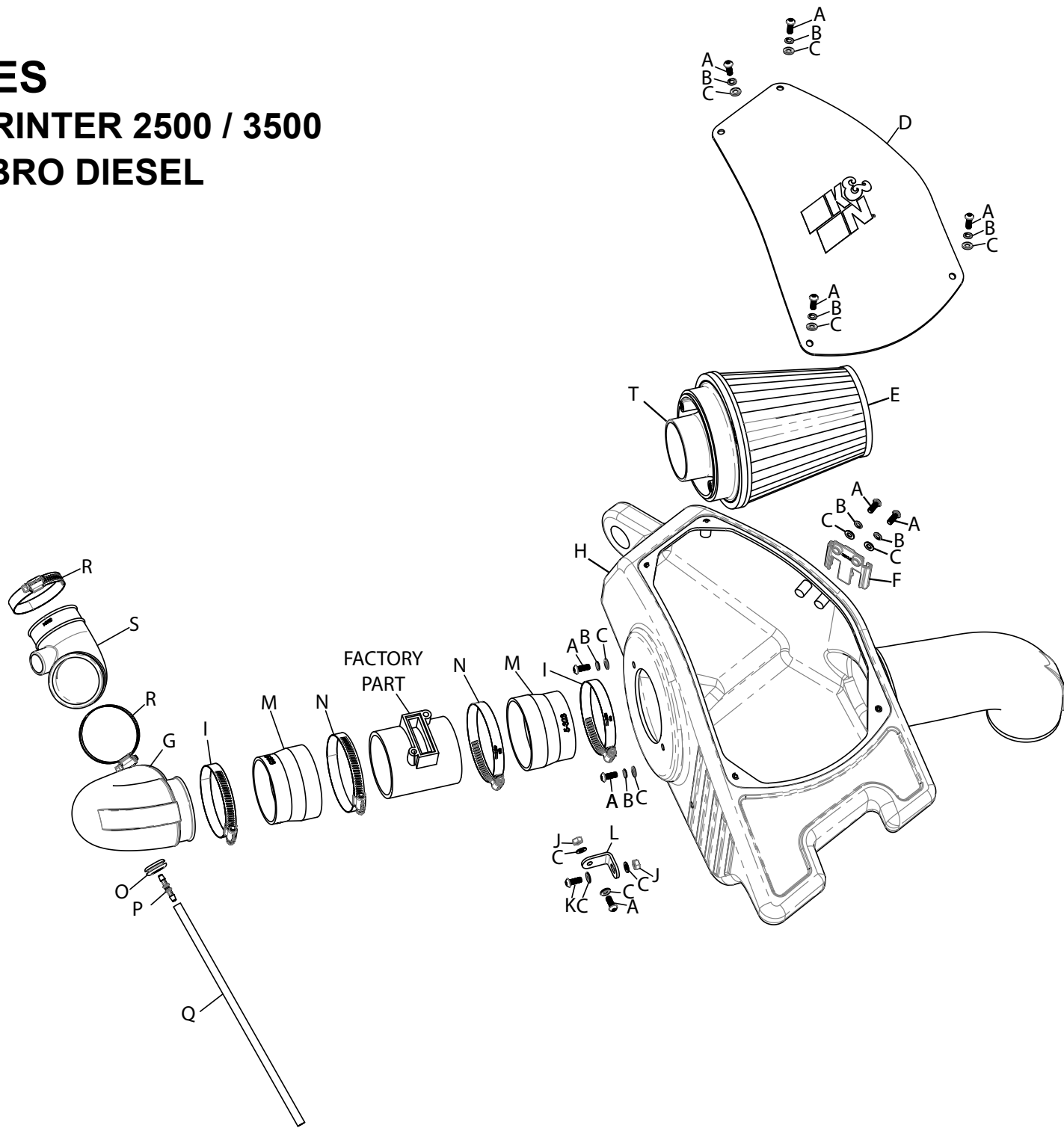
NOT LEGAL FOR SALE OR USE ON ANY POLLUTION CONTROLLED MOTOR VEHICLE IN CALIFORNIA OR STATES ADOPTING CALIFORNIA EMISSION PROCEDURES.  
See knfilters.com for CARB status on each part for a specific vehicle

### INSTALLATION INSTRUCTIONS

**63-1701**  
**MERCEDES**  
**2010-18 SPRINTER 2500 / 3500**  
**3.0L-V6 TUBRO DIESEL**

**TOOLS NEEDED:**

- Ratchet
- Extension
- 10mm socket
- 8mm socket
- 7mm socket
- flat blade screw driver
- 5mm allen key
- Pliers
- T20 Torx
- T35 Torx



**PARTS LIST:**

Description	Qty.	Part #	Description	Qty.	Part #	Description	Qty.	Part #
A BOLT; M6 X 1 X 16MM	9	07730	H AIRBOX (OI)	1	087476	O GROMMET; 1"OD, 3/16"ID	1	08054
B WASHER; M6 SPLIT LOCK	8	1-3025	I HOSE CLAMP; #48	2	08601	P HOSE MENDER; 3/16" X 3/16"	1	08703
C WASHER; 6MM FLAT	12	08269	J NUT; 6MM NYLOCK HEX	2	07512	Q HOSE; 4MM ID X 12"L	1	08147
D LID; BLACK	1	088088K	K SCREW; M6 X 20MM	1	KIT20BHC3060	R HOSE CLAMP; #36	2	08530
E AIR FILTER	1	RU-2800	L BRACKET; "L" SML.	1	070066A	S HOSE; 2.25"ID, 75DEG	1	08494
F MOUNT; BATT. CABLE	1	088068	M HOSE; ADAPTER 3.25/3" X 2.25"	2	5-323	T ADAPTER	1	21569
G TUBE; (OH)	1	087475	N HOSE CLAMP; #52	2	08610			

**If you need any assistance please call 1-800-858-3333 to speak with a representative in our Customer Service Center before returning the product.**

**NOTE: FAILURE TO FOLLOW INSTALLATION INSTRUCTIONS AND NOT USING THE PROVIDED HARDWARE MAY DAMAGE THE INTAKE TUBE, THROTTLE BODY AND ENGINE.**

**TO START:**

1. Turn off the ignition and disconnect the negative battery cable.  
**NOTE: Disconnecting the negative battery cable erases pre-programmed electronic memories. Write down all memory settings before disconnecting the negative battery cable. Some radios will require an anti-theft code to be entered after the battery is reconnected. The anti-theft code is typically supplied with your owner's manual. In the event your vehicles anti-theft code cannot be recovered, contact an authorized dealership to obtain your vehicles anti-theft code.**



2. Disconnect the mass air sensor and sensor electrical connections and unhook the harness from the factory air filter housing.



3. Disconnect the jump start positive post from the air filter housing and set aside.



4. Loosen the hose clamp that secures the factory intake tube to the factory air filter housing and then disconnect the hose from the housing.



5. Lift the front of the air filter housing up to separate it from the mounting grommets, then while rotating the housing up and down to rotate it in the rear mounting grommets slide the housing towards the driver side until it is free of the rear mounts and remove it from the vehicle.



6. Pull up the Fresh air duct and remove it from the vehicle.



7. Disconnect the CCV sensor electrical connection.



8. Loosen the clamp that secures the factory intake tube to the turbo and remove it from the vehicle.



9. Install the provided radius filter adapter into the K&N air filter housing and secure with the provided hardware.



10. Install the provided step coupler onto the K&N intake tube and secure with the provided hose clamp. Install the provided grommet into the K&N intake tube.



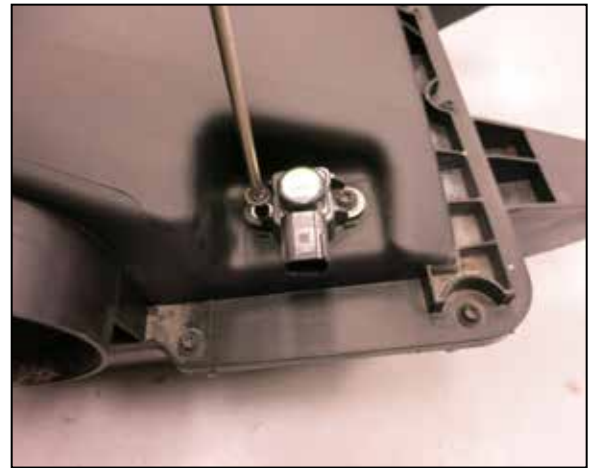
11. Install the provided turbo inlet tube onto the turbo and secure with the provided hose clamp. Install the CCV sensor into the coupler.



12. Remove the mass air sensor from the factory air filter housing.



13. Install the provided step hose onto the inlet side of the mass air sensor and secure with the provided hose clamp. NOTE: Be sure the hose is on the inlet side of the sensor. If the sensor is installed the wrong direction the vehicle will not run properly, and the check engine light will be illuminated. There is an arrow embossed on the side of the housing showing the correct maf direction.



14. Remove the sensor from the factory air filter housing lid.



15. Using the provided bracket and hardware, install the sensor onto the air filter housing as shown.



16. Install the K&N air filter housing into the factory housing mounts and guide the fresh air tube into the duct.



17. Install the K&N intake tube and mass air sensor assembly into the couplers, adjust for best fit and then secure with the provided hose clamps. **NOTE: Be sure the mass air sensor is installed in the correct direction. If the sensor is installed backwards the vehicle will not run correctly and will illuminate the check engine light.**



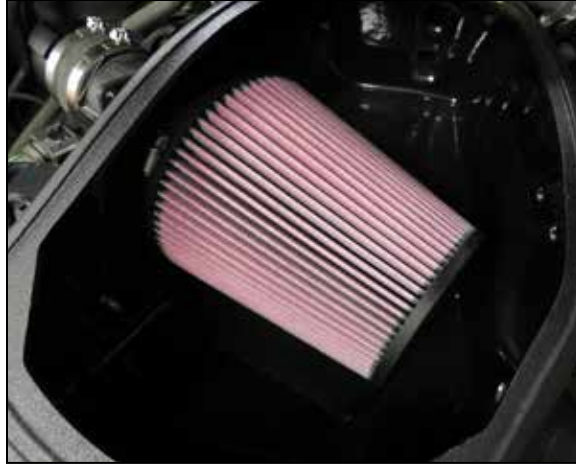
18. Assemble the vacuum line and union fitting as shown.



19. Install the union fitting into the grommet in the intake tube and then connect the vacuum line to the sensor secured to the filter housing.



20. Reconnect the mass air sensor and sensor electrical connections.



21. Install the K&N air filter and secure with the provided hose clamp.



22. Install the K&N air filter housing lid and secure with the provided hardware.



23. Attach the jump post positive terminal to the K&N filter housing using the provided hardware.



24. Reconnect the vehicle's negative battery cable. Double check to make sure everything is tight and properly positioned before starting the vehicle.

25. It will be necessary for all K&N® high flow intake systems to be checked periodically for realignment, clearance and tightening of all connections. Failure to follow the above instructions or proper maintenance may void warranty.

#### ROAD TESTING:

1. Start the engine with the transmission in neutral or park, and the parking brake engaged. Listen for air leaks or odd noises. For air leaks secure hoses and connections. For odd noises, find cause and repair before proceeding. This kit will function identically to the factory system except for being louder and much more responsive.

2. Test drive the vehicle. Listen for odd noises or rattles and fix as necessary.

3. If road test is fine, you can now enjoy the added power and performance from your kit.

4. K&N Engineering, Inc., requires cleaning the intake system's air filter element every 100,000 miles. When used in dusty or off-road environments, our filters will require cleaning more often. We recommend that you visually inspect your filter once every 25,000 miles to determine if the screen is still visible. When the screen is no longer visible some place on the filter element, it is time to clean it. To clean and re-oil, purchase our filter Recharger® service kit, part number 99-5050 or 99-5000 and follow the easy instructions.

**NOT LEGAL FOR SALE OR USE ON ANY POLLUTION CONTROLLED MOTOR VEHICLE IN CALIFORNIA OR STATES ADOPTING CALIFORNIA EMISSION PROCEDURES.**

See [knfilters.com](http://knfilters.com) for CARB status on each part for a specific vehicle